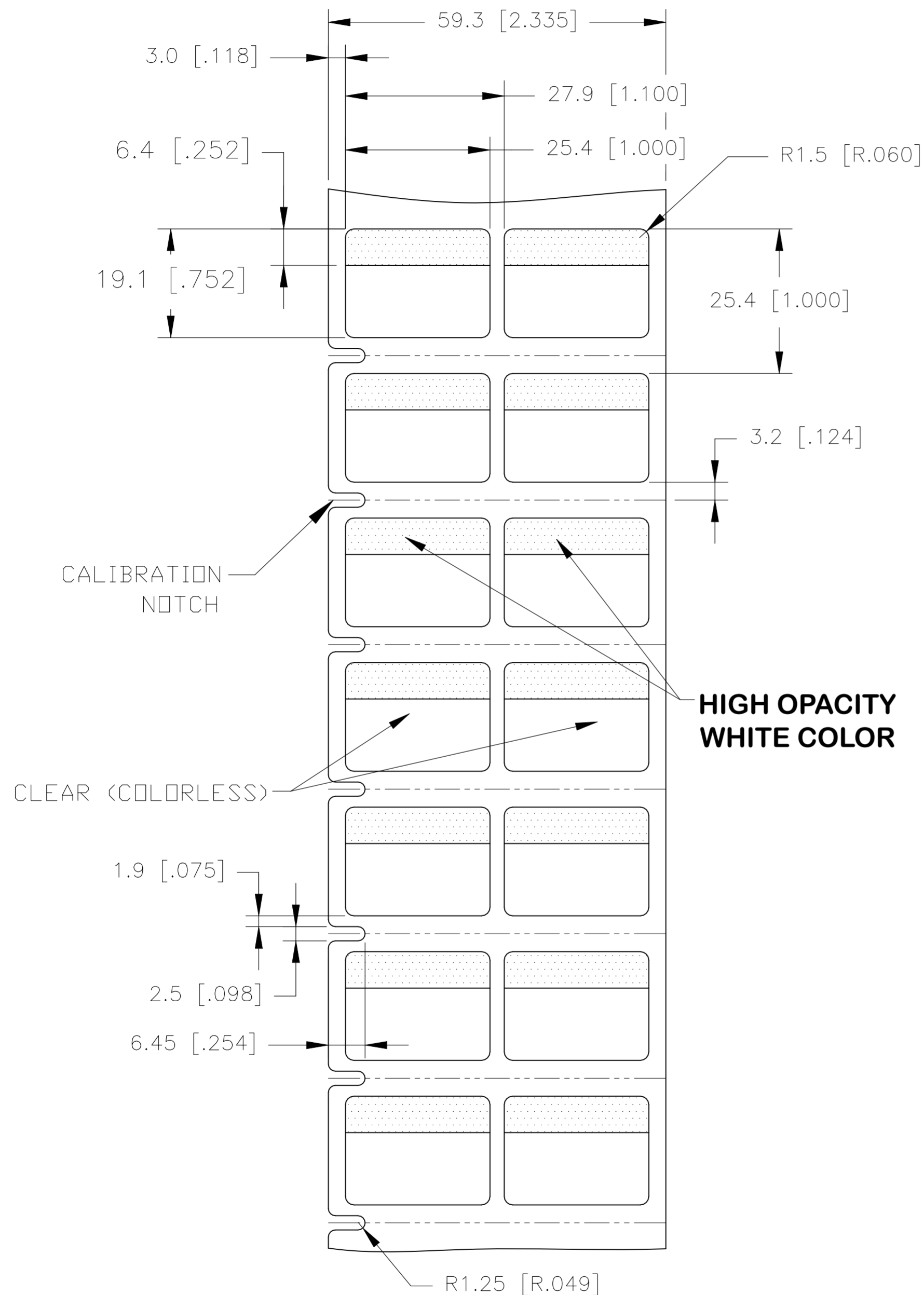
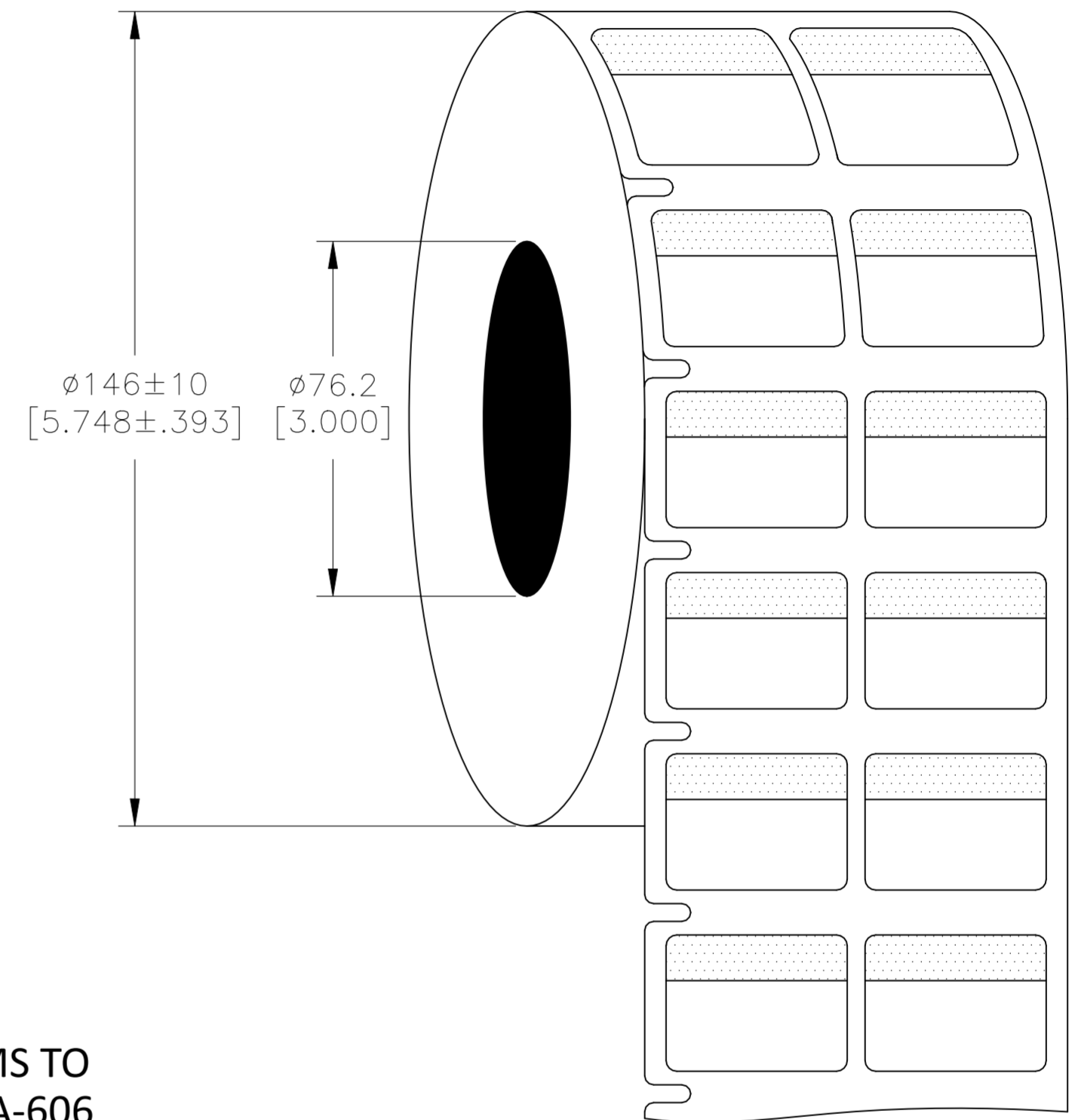


REVISIONS					
P	LTR	DESCRIPTION	DATE	DWN	APVD
	A	INITIAL RELEASE	01JUL2022	GK	DB

### LABEL AND LINER DESIGN



### PRESENTATION



PRINT COLOR CONFORMS TO LABELING STANDARD TIA-606

All dimensions in mm [Inch]

**TE PN: 1SET530100R0000**

**OUTSIDE WOUND LABEL ACROSS: 2 PER ROLL QTY: 5000**

UL-MARKING AND LABELLING SYSTEMS		
PGIS2 - Marking and Labeling Systems, Limited Use - Component (UL 969)		
File: MH61671	Product design: <b>SBP</b>	Ribbon: See TE Document 411-121005

TOLERANCES mm [INCH]	
LABEL HEIGHT:	$\pm 0.3$ [.012]
LABEL WIDTH:	$\pm 0.3$ [.012]
WEB WIDTH:	$\pm 0.8$ [.031]
VERTICAL REPEAT:	$\pm 0.8$ [.031]*
HORIZONTAL REPEAT:	$\pm 0.8$ [.031]*
PRINT POSITIONING:	$\pm 0.8$ [.031]*
LEFT MARGIN:	$\pm 0.4$ [.016]
QUANTITY:	-0% +2%
*NON ACCUMULATING	

MATERIAL	CLEAR VINYL
ADHESIVE TYPE	ACRYLIC PERMANENT
LINEAR	WHITE KRAFT
DWN: GOPALAKRISHNA HV CHK: D.BURGAT APVD: D.BURGAT PRODUCT SPEC: TTDS-283 APPLICATION SPEC: -	
NAME: SBP EWS LABEL - WHITE 25.4 x 19.1mm [1.00 x 0.75inch]	
SIZE: A2	CAGE CODE: FB1U7
DRAWING NO: SBPE04-0625-WH-5	RESTRICTED TO: -
WEIGHT: 0.067g	SCALE: 1:1
CUSTOMER DRAWING	SHEET: 1 of 1
REV: A	