



Push-pull connectors cable mounted plug CCA2 series



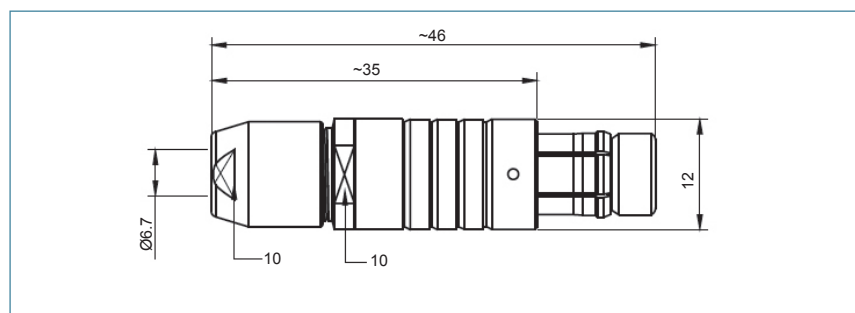
CCA2P1/A03 3 pole

- Premium range of circular connectors
- IP68 sealed using vacuum technology (when connected and using environmental cable clamp)
- Tough, high performance interconnection solution
- Ideal for harsh and extreme environments
- Suitable for broadcasting, autosport, military, rail, marine, security, industrial and agricultural applications
- Key coded to prevent misconnection
- Will not disconnect when the cable is under load or stress
- Tested to IEC 60512-3-5a



PART NO.	DESCRIPTION	POLES	SERIES
CCA2P1/A03	Cable mounted plug	3	CCA series

SPECIFICATION	
Shell style/model	Cable mounted straight plug, male contact
Codes	Code 1
Contact type	Solder type
Contact diameter	1.18mm
Max. stranded conductor	AWG 17-18
Max diameter	0.43mm
Vtest (contact-shell)	1200V(AC) 1800V(DC)
Vtest (contact-contact)	1500V(AC) 2000V(DC)
Rated current	12A
Rated voltage	≤250V
Mechanical operation	5000 mating cycles
Housing material	Brass (natural chrome plated) shell and collet nut, nickel plated brass latch sleeve and mid pieces
Insulator	PPS
Contacts	Brass (gold plated)
Humidity (max)	<=95% [at 60°C /140°F]
Vibration	15g [10 Hz - 2000 Hz]
Shock resistance	100g [6 ms]
Salt spray corrosion	>72 hr
Climatical category	50/175/21
Shielding (min)	75 dB (10 MHz)
Shielding (min)	40 dB (1 GHz)
IP rating	IP68 (when connected and using environmental cable clamp)

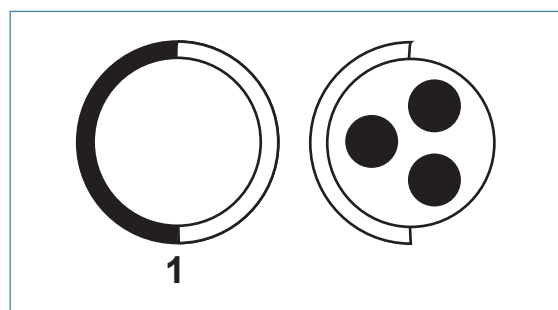


This product should be used with the following cable clamps:

PART NO.	WIRE RANGE
CCV2C/CE	3.7 - 4.2mm
CCV2C/CG	4.2 - 4.7mm
CCV2C/CH	4.7 - 5.2mm
CCV2C/CI	5.2 - 5.7mm
CCV2C/CJ	5.7 - 6.2mm



Non IP68 cable clamps also available



ACCESSORIES

Metal cap for plugs

PART NO.	DESCRIPTION
CCA22	Camcirc metal cap for plug A2



- 002 PCB TERMINAL BLOCKS
- 081 TERMINAL STRIPS
- 095 WIRE TO BOARD CONNECTORS
- 100 CIRCULAR CONNECTORS
- 151 IP68 CONNECTORS
- 158 INTERFACE MODULES AND RELAY BASES

ASSOCIATED PRODUCTS

CCB2S1/03 -CCB series A2 size socket page 133

