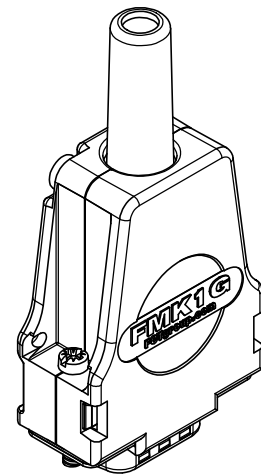
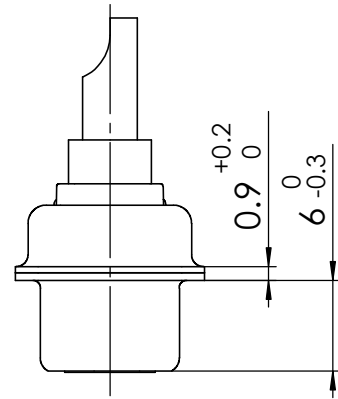
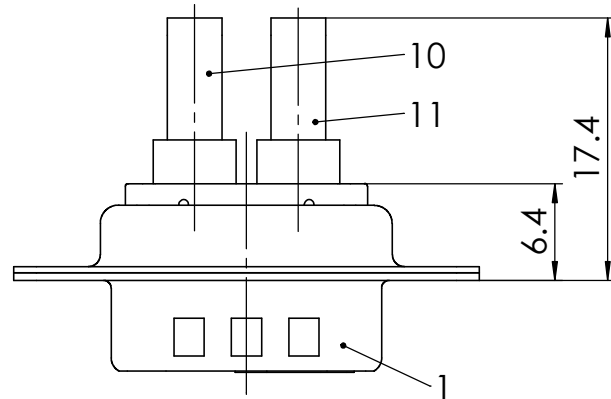
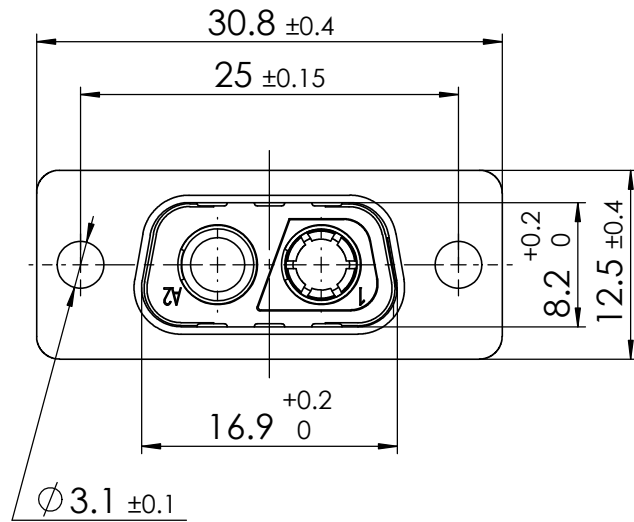
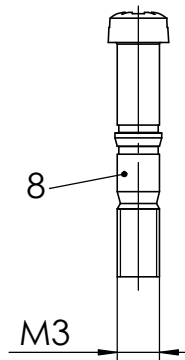


COMMENT: ALL RIGHTS ARE RESERVED BY US FOR THIS DRAWING. WITHOUT OUR PRIOR CONSENT, IT MAY NEITHER BE DUPLICATED NOR MADE AVAILABLE TO A THIRD PARTY, AND IT ALSO MAY NOT BE IMPROPERLY USED BY THE RECEIVER, OR A THIRD PARTY.



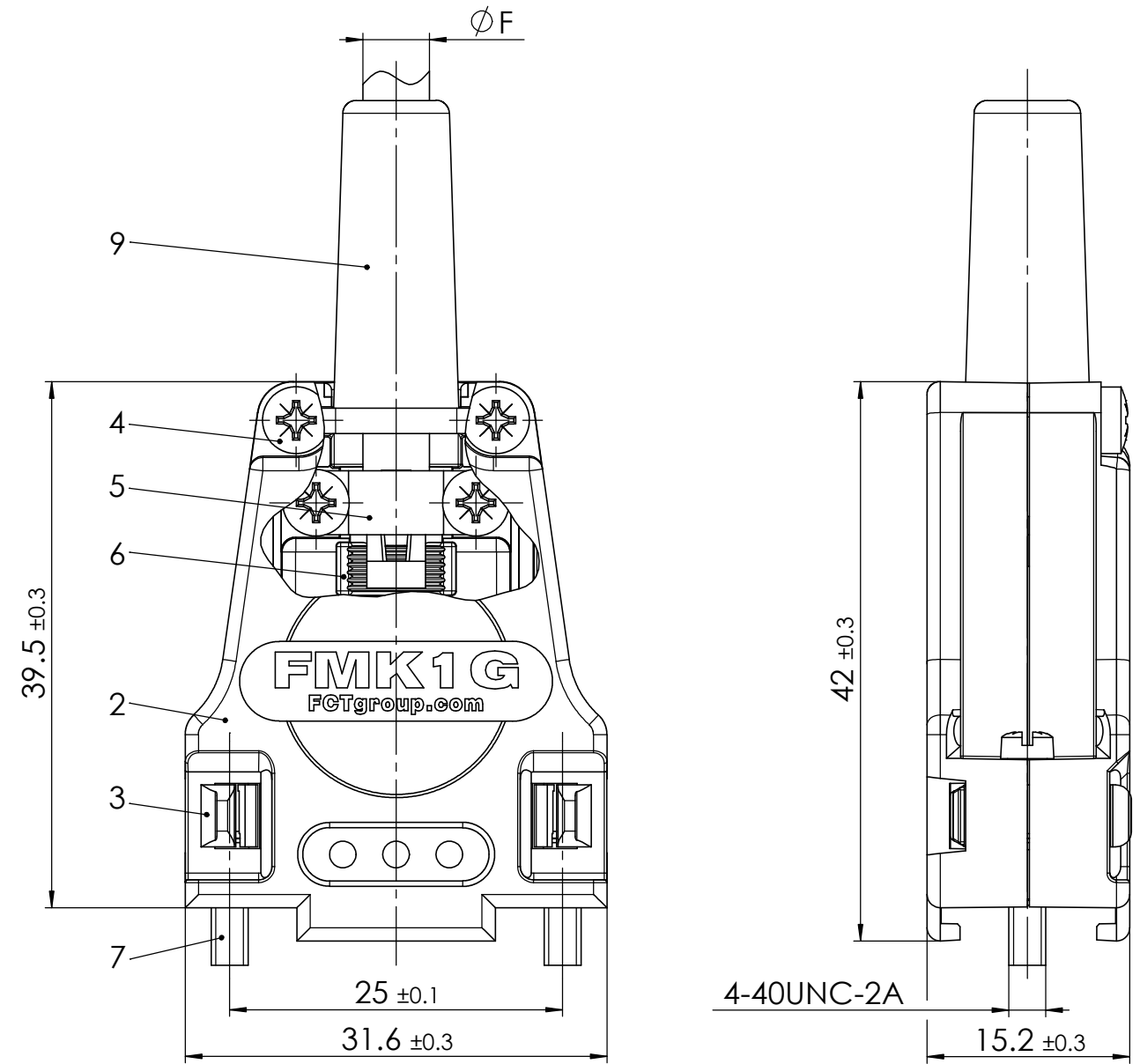
reverse side
1 : 1

RoHS compliant
by exemption

Packing unit on supplement AM0665

max. torque are 40 Ncm
Part-No. 4, 5, 9, 10 and 11 not mounted
Part-No. 6 alternatively in Zinc die-cast, tin plated

ØF1 = Cable diameter without rubber bushing ø3 - ø9.5mm
ØF2 = Cable diameter with rubber bushing max. ø6.5mm



No.	St.	Part	Type Description/Material	Surface plating/Colour/Class
11	1	High power contact	FMP006S103	20A / AWG 12-16
10	1	High power contact	FMP006P103	20A / AWG 12-16
9	1	Rubber bushing	TPE	black
8	2	Locking screw	FVS1/5-K1163 M3 / Steel	nickel plated
7	2	Locking screw	FVS1/5-K1163 4-40 / Steel	nickel plated
6	1	Strain relief	ABS	nickel plated
5	1	Cable clamp	Steel	tin plated
4	4	Screw	Case hardened steel	zinc plated
3	2	Catch spring	PEI	black
2	1	Hood	FMK1G / Zinc die-cast	nickel plated
1	1	Mixed-Layout Connector	F2W2PC-K120	

SYMBOLS					THIS DRAWING CONTAINS INFORMATION THAT IS PROPRIETARY TO MOLEX ELECTRONIC TECHNOLOGIES, LLC AND SHOULD NOT BE USED WITHOUT WRITTEN PERMISSION				
▽ = 0	▽ = 0	▽ = 0	▽ = 0	▽ = 0	▽ = 0	▽ = 0	▽ = 0	▽ = 0	▽ = 0
□ = 0	□ = 0	□ = 0	□ = 0	□ = 0	□ = 0	□ = 0	□ = 0	□ = 0	□ = 0
■ = 0	■ = 0	■ = 0	■ = 0	■ = 0	■ = 0	■ = 0	■ = 0	■ = 0	■ = 0
▽ = 0	▽ = 0	▽ = 0	▽ = 0	▽ = 0	▽ = 0	▽ = 0	▽ = 0	▽ = 0	▽ = 0

DIMENSION UNITS	SCALE	MEASUREMENTS WITHOUT TOLERANCE ACC. TO ISO 2768-m	CURRENT REVISION	
mm	2:1		DRWN: DRAWN BY	10-08-2021
			APPR: APPR BY	12-08-2021
			INITIAL REVISION	
			DRWN: DRAWN BY	10-08-2021
			APPR: APPR BY	12-08-2021
REV.	CH.-NO.		MATERIAL NUMBER	
			1731140981	
REPLACEMENT FOR:			DOCUMENT NUMBER	CUSTOMER
THIRD ANGLE PROJECTION			FMK1G-2W2PC-6194	GENERAL MARKET
DRAWING			SHEET NUMBER	
A3-SIZE			1 OF 1	

molex

FCT Hood Connector Set

PRODUCT CUSTOMER DRAWING

MATERIAL NUMBER	REVISION
1731140981	1