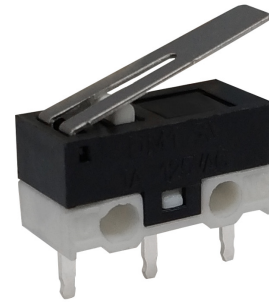


# Micro Switch

## Features

- Snap-action switch
- Micro switch with solder/PCB terminals
- Simple construction and high reliability for long time
- Robust design



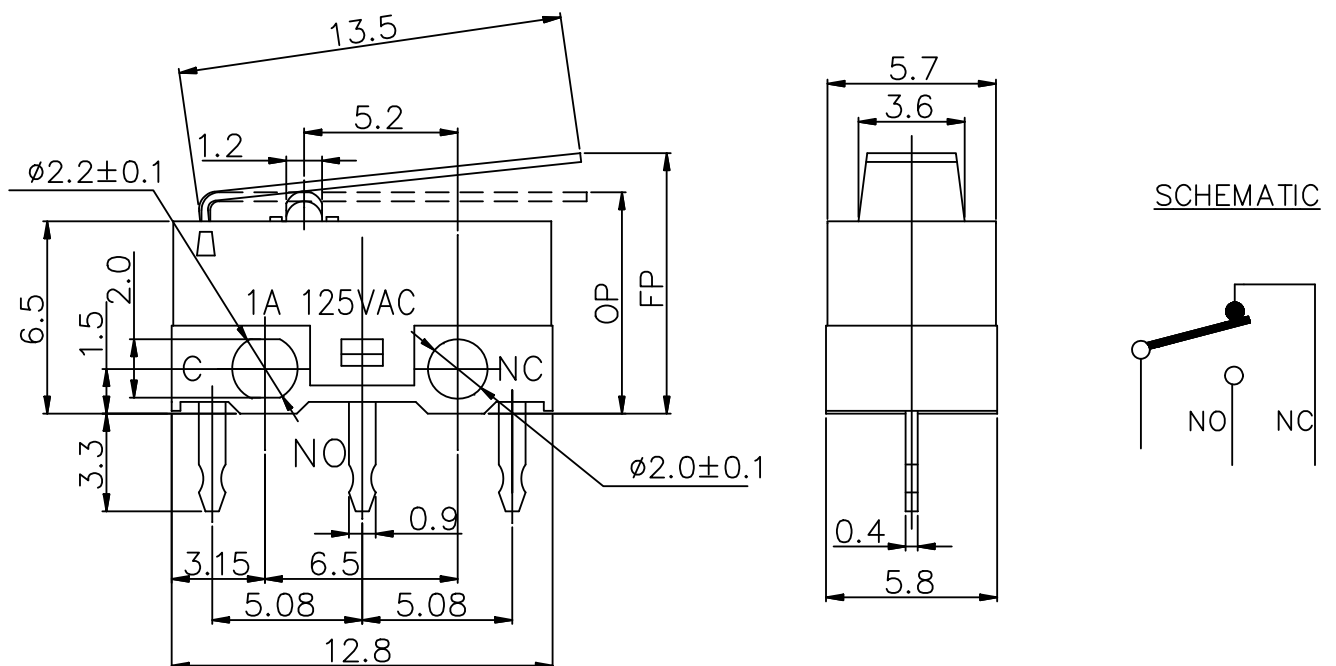
## Functional Specification

Rated Voltage	125 VAC / 5 VDC
Rated Current	AC 1 A / DC 30 mA
Contact Resistance	100 mOhm
Operating Force	20 ... 50 gf
Free Position	10.4 ± 0.8 mm
Operating Position	8.8 ± 0.8 mm
Actuator Type	Hinge Lever
Termination Type	PCB Terminals

## Reliability Rating

Mechanical Life	500000 Cycles
Electrical Life	10000 Cycles
Insulation Resistance	100 MOhm @ 500 VDC
Dielectric Withstanding Voltage	500 VAC 1 min
Soldering Type	Hand Soldering
Operating Temperature	-25 ... 65 °C
Ambient Humidity	< 85%RH

## Drawing



Art. Nr.  
RND 210-00744