

# DLight Unit

SKU:U136



## Description

**DLight Unit** is a Digital Ambient Light Sensor. Adopts BH1750FVI sensor (I2C interface), integrates 16-bit ADC, supports wide-range LUX and high resolution (1 - 65535 LX). Compact in size, and low power consumption. Suitable for various light sensing applications.

## Product Features

- Support I2C interface (addr: 0x23)
- Illumination digital conversion
- Support light source variations (incandescent, fluorescent, halogen, white LED, sunlight, etc)
- Wide Range LUX (1-65535 lx)
- HY2.0-4P interface

## Include

- 1x DLight Unit

## Applications

- Smart Factory
- Home Automation

- Ambient light Sensing Scenario

## Specification

Specifications	Parameters
Sensor Model	BH1750FVI
Illumination detection range	1-65535 lx
Communication interface	I2C communication interface (addr: 0x23)
Typical peak sensitivity wavelength	560nm
Working current	< 5V@143uA
AD conversion depth	16bit
Net weight	4.8g
Gross weight	10g
Product Size	32 * 24 * 8mm
Package Size	93 * 138mm

## Related Link

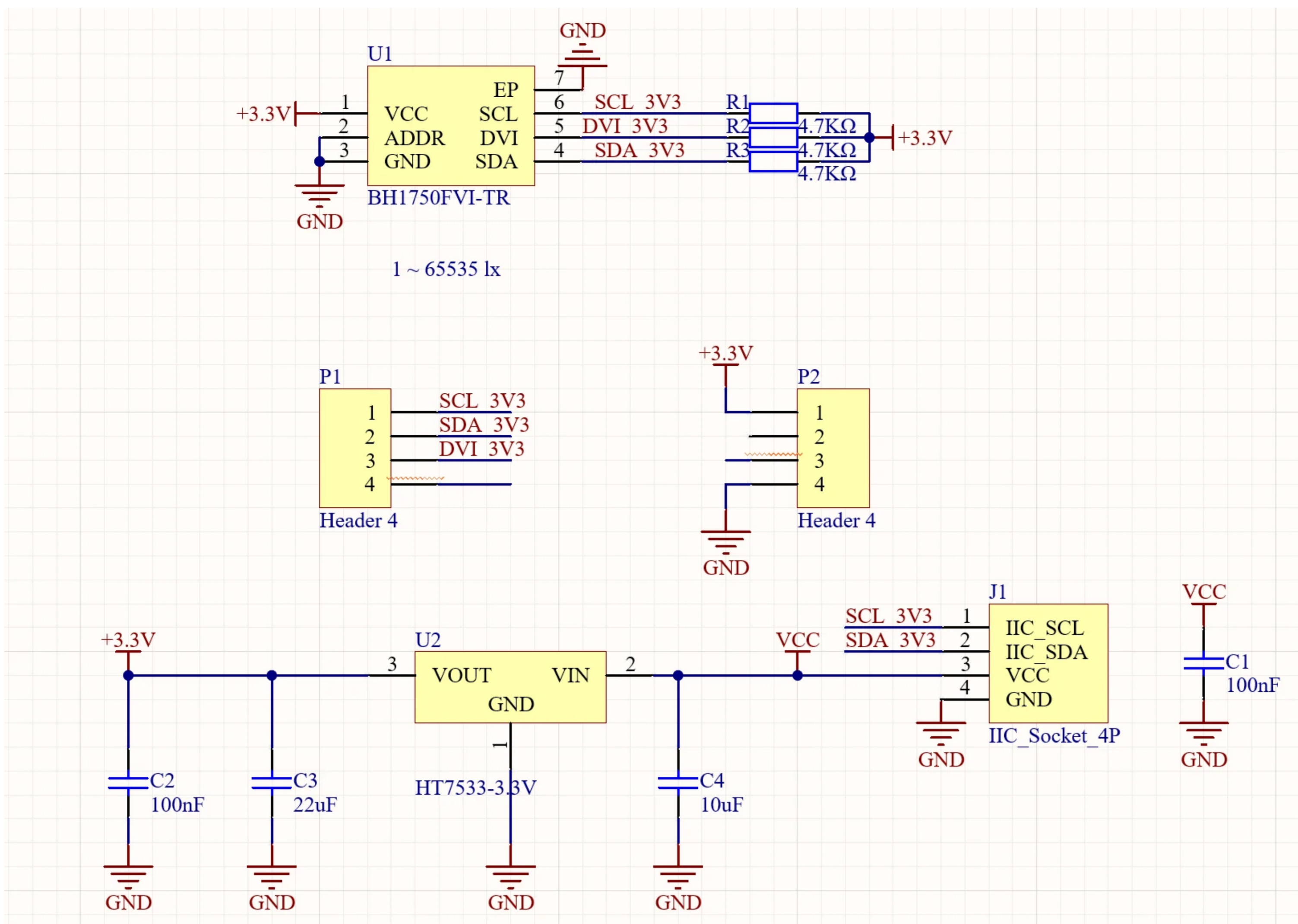
- **Datasheet**
  - [BH1750FVI datasheet](#)

## PinMap

- DLight Unit

M5Core(PORT A)	G21	G22	5V	GND
DLight Unit	SDA	SCL	VCC	GND

## Schematic



## Example

### Arduino

- [BH1750FVI Libray](#)
- [DLIGHT GET LUX with M5Core](#)

## Video

Illumination value detection