

CAN terminator M12 Male 5p	
Connector M12 with bus termination	
5-pole male	
straight	

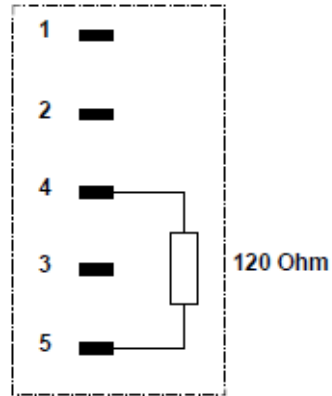
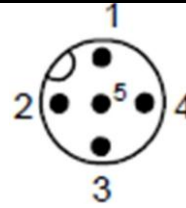
CAN terminator M12 Male 5p	
Connector	
Type	Male
Usage	120Ω bus termination (CAN)
Material	Zinc pressure die casting surface Ni4-6
Size	M12
Number of poles	5
Mounting	straight
Temperature range	-25° . . . +85°C
Ingress protection	IP67
Certifications	
UL Listed	no
Electrical data	
Voltage rating	max. 24 V DC
Impuls voltage rating	0,8 kV
Current rating	max. 4A every contact
Environmental	
Resistance	material resistance should always be checked in the application involved

General specifications v20150611	

CAN terminator M12 Male 5p

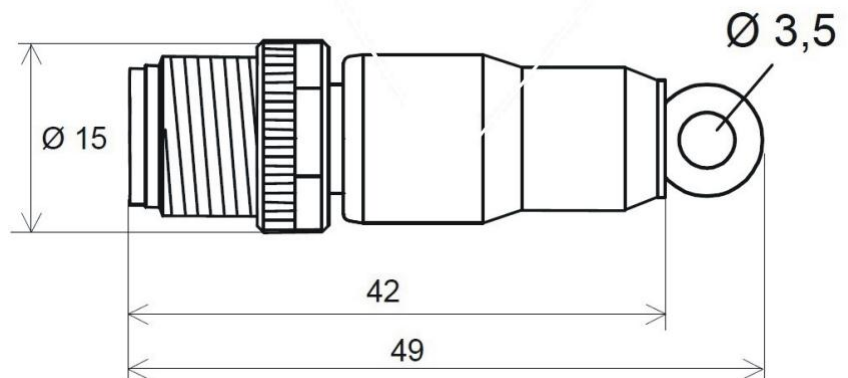
Contact layout

Connectivity



CAN terminator M12 Male 5p

Mechanical dimensions (indicative only)



CAN terminator M12 Male 5p

Order code	Description
10217	CAN terminator M12M 5p