

GN 147.7 | Connecting clamps with base

with locking device, aluminium



- 1
- 2
- 3
- 4
- 5
- 6
- 7
- 8
- 9
- 10
- 11
- 12
- 13
- 14
- 15
- 16
- 17
- 18

MATERIAL

Aluminium, epoxy resin coating, RAL 9005 black colour.
AISI 304 stainless steel screws and nuts.

STANDARD EXECUTIONS

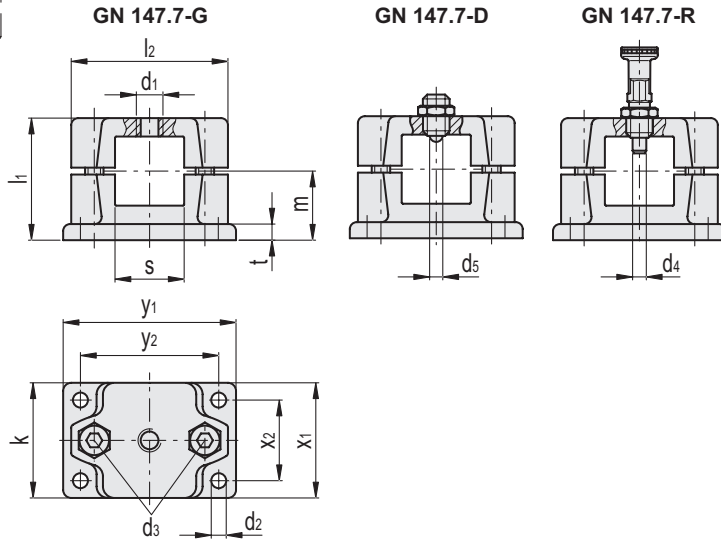
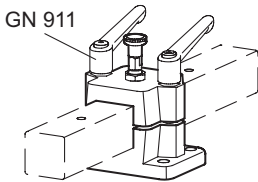
- **GN 147.7-G**: with threaded hole.
- **GN 147.7-D**: with ball spring plunger GN 615.9 (execution KN), AISI 303 stainless steel.
- **GN 147.7-R**: with spring positioning plunger and stop in retracted position GN 717-NI (execution CK), AISI 303 stainless steel. AISI 303 stainless steel locking nut.

FEATURES AND APPLICATIONS

The assembly hole of GN 147.7 connecting clamps allows an excellent match with tubes GN 990 (see page 1778).
The clamping screws d_3 may be replaced by clamping kits GN 911 (see page 1782).

SPECIAL EXECUTIONS ON REQUEST

GN 990: square connecting tubes in special execution with locking holes.



GN 147.7-G

Code	Description	s	d1	d2	d3	k	l1	l2	m	t	x1	x2	y1	y2	d3 Clamping kit	⚖️
GN.47703	GN 147.7-V25-G-SW	25x25	M8	6.5	M8	50	53	68	30	7	50	35	75	60	GN 911-M8-45	248
GN.47709	GN 147.7-V30-G-SW	30x30	M8	6.5	M8	50	53	68	30	7	50	35	75	60	GN 911-M8-45	232
GN.47715	GN 147.7-V40-G-SW	40x40	M12	11	M10	76	81.5	98	46.5	14	76	50	115	90	GN 911-M10-70	711
GN.47721	GN 147.7-V50-G-SW	50x50	M12	11	M10	76	81.5	98	46.5	14	76	50	115	90	GN 911-M10-70	660

GN 147.7-D

Code	Description	s	d1	d2	d3	d5	k	l1	l2	m	t	x1	x2	y1	y2	d3 Clamping kit	⚖️
GN.47701	GN 147.7-V25-D-SW	25x25	M8	6.5	M8	3.5	50	53	68	30	7	50	35	75	60	GN 911-M8-45	255
GN.47707	GN 147.7-V30-D-SW	30x30	M8	6.5	M8	3.5	50	53	68	30	7	50	35	75	60	GN 911-M8-45	239
GN.47713	GN 147.7-V40-D-SW	40x40	M12	11	M10	6.5	76	81.5	98	46.5	14	76	50	115	90	GN 911-M10-70	732
GN.47719	GN 147.7-V50-D-SW	50x50	M12	11	M10	6.5	76	81.5	98	46.5	14	76	50	115	90	GN 911-M10-70	681

GN 147.7-R

Code	Description	s	d1	d2	d3	d4 Plunger +0.005 Hole +0.03 +0.08	k	l1	l2	m	t	x1	x2	y1	y2	d3 Clamping kit	⚖️
GN.47705	GN 147.7-V25-R-SW	25x25	M8	6.5	M8	5	50	53	68	30	7	50	35	75	60	GN 911-M8-45	261
GN.47711	GN 147.7-V30-R-SW	30x30	M8	6.5	M8	5	50	53	68	30	7	50	35	75	60	GN 911-M8-45	245
GN.47717	GN 147.7-V40-R-SW	40x40	M12	11	M10	8	76	81.5	98	46.5	14	76	50	115	90	GN 911-M10-70	751
GN.47723	GN 147.7-V50-R-SW	50x50	M12	11	M10	8	76	81.5	98	46.5	14	76	50	115	90	GN 911-M10-70	699

Connecting clamps