

- 1
- 2
- 3
- 4
- 5
- 6
- 7
- 8
- 9
- 10
- 11
- 12
- 13
- 14
- 15
- 16
- 17
- 18

KNOB

Glass-fibre reinforced polyamide based (PA) technopolymer, colour black, matte finish.

CLOSING CAP

Glass-fibre reinforced polyamide-based (PA) technopolymer, light grey colour, press-fit assembly.

THREADED BODY

AISI 316 stainless steel.

CLOSING LEVER

AISI 304 stainless steel.

SCREW AND LOCKING NUT

AISI 316 stainless steel.

IP PROTECTION

IP 65 protection class, according to IEC 529 (see page A-19).

FUNCTIONING

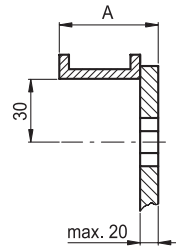
Close the door and move the lever to the closed position by rotating the knob by 90° up to the detent position.

By a further turn of the knob, an internal device with cam and spring axially moves the lever (6 mm stroke) until it reaches the locking position. This device is suitable in case of vibrations or sealing washers.

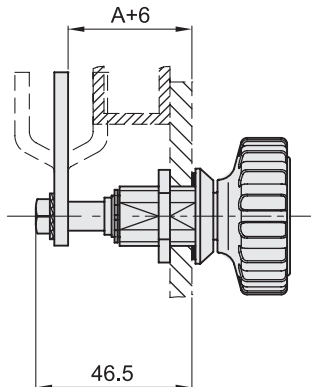
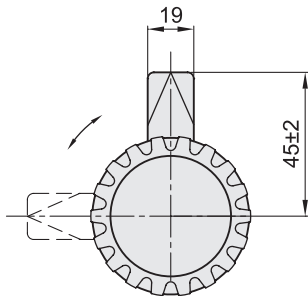
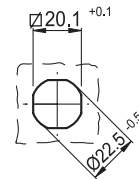
These latches ensure a clamping range from 19 to 41 mm.



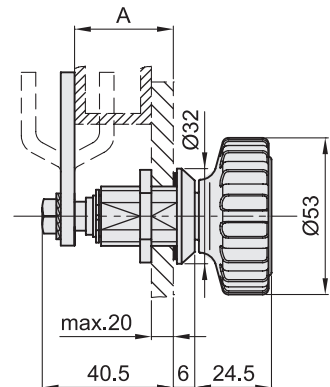
Clamping range



Drilling template



Distance of the closing lever after the rotation of 90° (clockwise).



Distance of the closing lever after the rotation of 180° (locking position).



Code	Description	A	⚖️
37991	MDA-LS-SST-19	19	160
37992	MDA-LS-SST-23	23	160
37993	MDA-LS-SST-27	27	160
37994	MDA-LS-SST-31	31	160
37995	MDA-LS-SST-33	33	160
37996	MDA-LS-SST-35	35	160
37997	MDA-LS-SST-37	37	160
37998	MDA-LS-SST-39	39	160
37999	MDA-LS-SST-41	41	160