

GH195, FC310, GH663, 2781, SH222-16

Fittings
High Pressure

Hochdruck-
armaturen

Embouts
haute pression

Raccordi
alta pressione

Racores
altas pressione

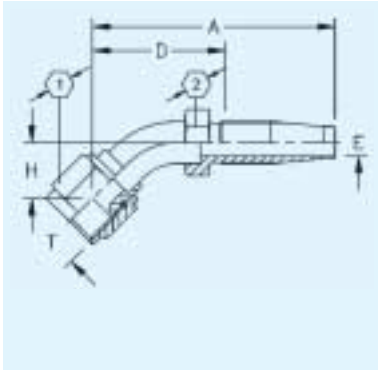
JIC Female
Swivel 37°, 45°
Elbow

JIC-Dichtkopf
37°, 45°
Krümmer

Femelle JIC 37°,
coudé 45°

Femmina girevole
JIC 37° a 45°

Hembra loca JIC
37° acodado a 45°



Part Number	Thread T	Flange	Tube O.D. mm	Hose ND	Hose Size	A mm	D mm	H mm	E Ø mm	K Ø mm	R Ø mm	HEX [1]	HEX [2]	Nut
G185287-4	7/16-20			6	-4	69	39	12	4			14	12	
185287-6S	9/16-18			10	-6	72	34	10	8			13	13	
G185287-8-6	3/4-16			10	-6	87	50	18	8			22	17	
G185287-10-8	7/8-14			12	-8	107	69	25	10			27	22	
G185287-12	1 1/16-12			19	-12	116	69	24	12			32	27	
G185287-16	1 5/16-12			25	-16	155	103	38	18			41	32	

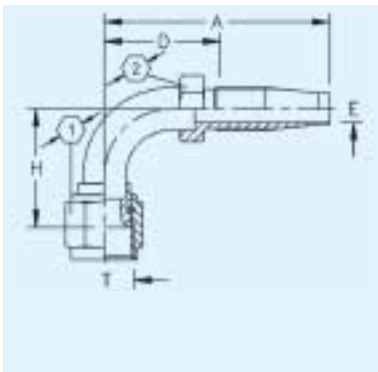
JIC Female
Swivel 37°, 90°
Elbow

JIC-Dichtkopf
37°, 90°
Krümmer

Femelle JIC 37°,
coudé 90°

Femmina girevole
JIC 37° a 90°

Hembra loca JIC
37° acodado a 90°

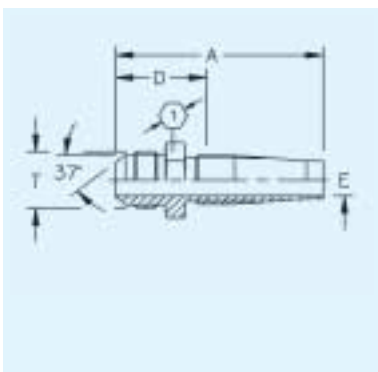


Part Number	Thread T	Flange	Tube O.D. mm	Hose ND	Hose Size	A mm	D mm	H mm	E Ø mm	K Ø mm	R Ø mm	HEX [1]	HEX [2]	Nut
G185264-4	7/16-20			6	-4	60	29	19	4			14	14	
G185264-6DR	9/16-18			10	-6	71	34,5	26	8			17	17	
G185264-8-6	3/4-16			10	-6	81	45	39	8			22	17	
G185264-8	3/4-16			12	-8	85	47	39	10			22	19	
G185264-10-8	7/8-14			12	-8	96	58	49	10			27	22	
G185264-10	7/8-14			16	-10	97	49	49	13			27	22	
G185264-12	1 1/16-12			19	-12	111	64	54	15,5			32	27	
G185264-16	1 5/16-12			25	-16	141	90	76,5	20,5			41	32	
G185264-20	1 5/8-12			31	-20	149	90	78	26,5			50	41	

JIC Male Flare 37° JIC-Außengewinde-
anschluss 37°

Maschio JIC 37°

Macho fijo JIC 37°



Part Number	Thread T	Flange	Tube O.D. mm	Hose ND	Hose Size	A mm	D mm	H mm	E Ø mm	K Ø mm	R Ø mm	HEX [1]	HEX [2]	Nut
4203-6-6S	9/16-18			10	-6	69	33		8					17
4203-8-6S	3/4-16			12	-8	74	36		10					22
4203-10-8S	7/8-14			12	-8	80	42		10					22
4203-10S	7/8-14			16	-10	81	42		13					25
4203-12S	1 1/16-12			19	-12	95	49		15					32
4203-16S	1 5/16-12			25	-16	111	60		21					38