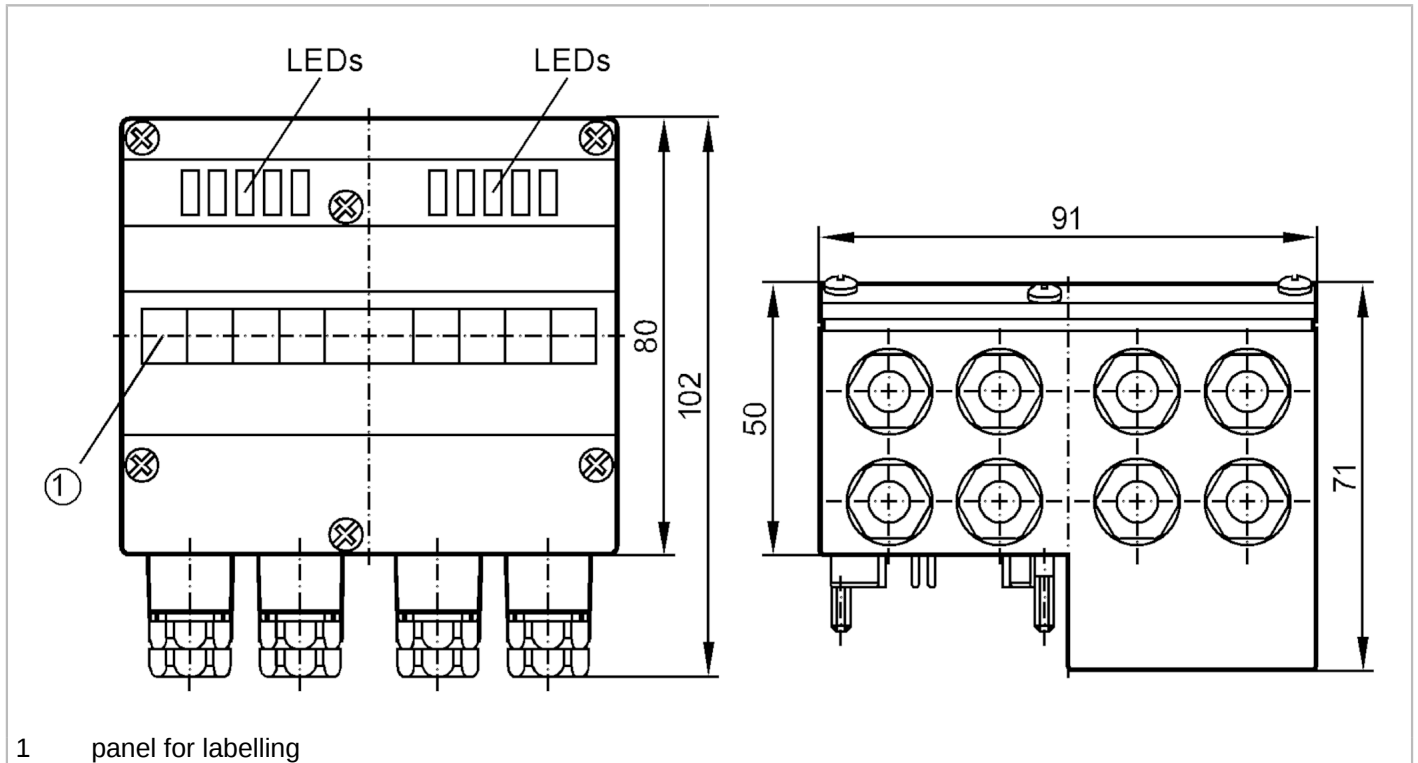


AC2620



AS-Interface universal module

UniversalModule 4AI(Pt100)IP65



1 panel for labelling



Product characteristics

Number of inputs and outputs	Number of Pt100 inputs: 4
Measuring range [°C]	-200...850

Electrical data

Operating voltage [V]	26.5...31.6 DC
Max. current consumption from AS-i [mA]	80
Reverse polarity protection	yes

Inputs / outputs

Number of inputs and outputs	Number of Pt100 inputs: 4
------------------------------	---------------------------

Inputs

Number of Pt100 inputs	4
Sensor supply of the inputs	AS-i
Voltage supply [V]	24
Max. total current rating of inputs [mA]	20
Digital inputs protected against short circuits	yes
Resolution of analogue input	16 / 0.1 °C

Outputs

Resolution of analogue output	16 bit / 0.1 °C
-------------------------------	-----------------

Measuring/setting range

Measuring range [°C]	-200...850
----------------------	------------

AC2620



AS-Interface universal module

UniversalModule 4AI(Pt100)IP65

Operating conditions							
Ambient temperature [°C]	0...70						
Storage temperature [°C]	-25...85						
Protection	IP 65						
Tests / approvals							
EMC	EN 50295						
MTTF [years]	150						
AS-i classification							
AS-i profile	S-7.3.E						
AS-i I/O configuration [hex]	7						
AS-i ID code [hex]	3.E						
AS-i certificate pending	yes						
Assignment of the parameter bits	parameter bit	Designation					
	P0	filter in the A/D converter	: 1	50 Hz	* / 0	60 Hz	
	P1	peripheral fault		coding	: 1 / 0		
	P2	peripheral fault		coding	: 1 / 0		
	P3	Pt100 elements	: 1	2-wire	/ 0	3-wire	
Mechanical data							
Weight [g]	299						
Type of mounting	AS-i interface to FC lower parts						
Materials	PBT						
Displays / operating elements							
Display	switching status	LED, green channels 1...4					
	operation	LED, green Voltage AS-i - AS-i					
	errors	LED, red					
Remarks							
Pack quantity	1 pcs.						
Electrical connection							
cage clamps:							

AC2620

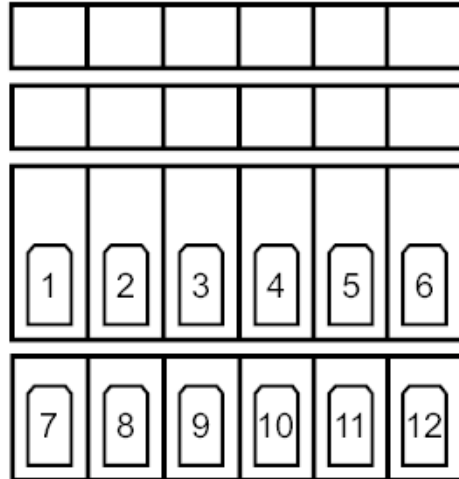


AS-Interface universal module

UniversalModule 4AI(Pt100)IP65

contact pins to module lower part, FK / PG:

Connection



1	channel 1+
2	S1-
3	channel 1-
4	channel 2+
5	S2
6	channel 2-
7	channel 3+
8	S3-
9	channel 3-
10	channel 4+
11	S4-
12	channel 4-