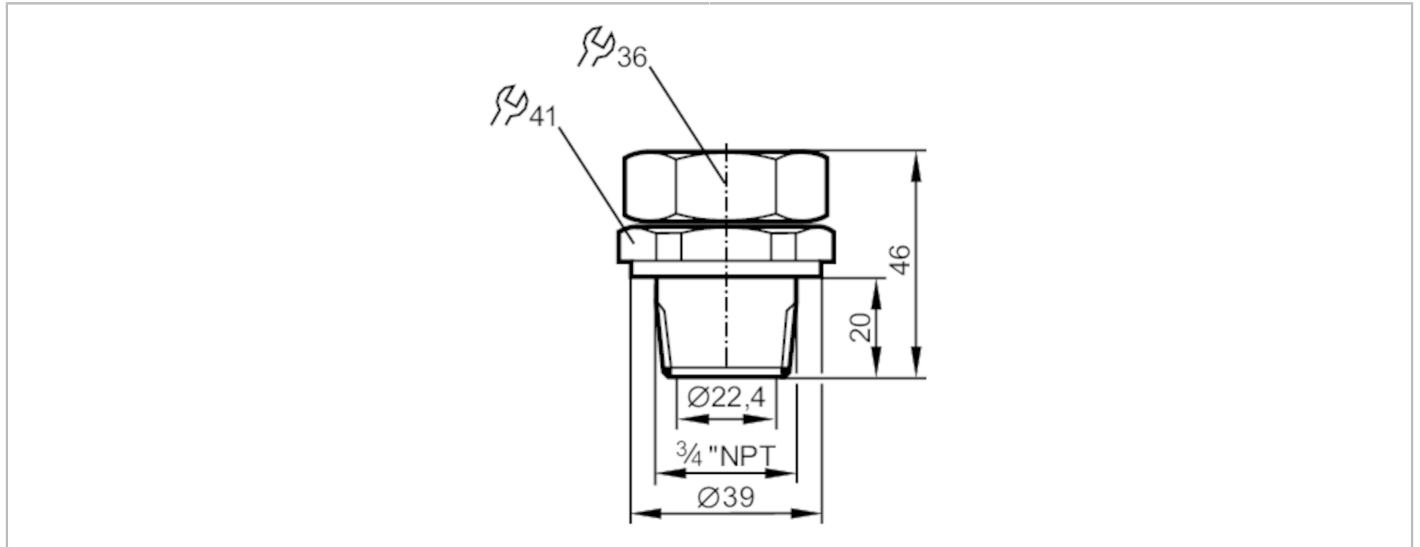


# E43014



## Mounting adapter for level sensors

MOUNTING ADAPTER NPT3/4/D22



Application	
Design	for climatic tube LK, LI
Pressure rating [bar]	0.5
Operating conditions	
Ambient temperature [°C]	0...80
Mechanical data	
Weight [g]	208
Materials	stainless steel; NBR; brass
Tightening torque [Nm]	6...8
Process connection	3/4 NPT
Remarks	
Pack quantity	1 pcs.