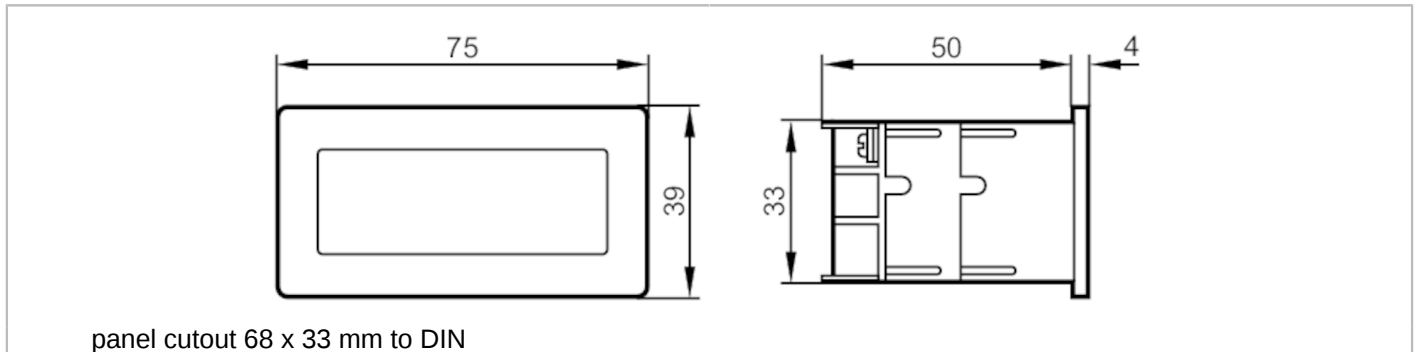


# E89150



## LC display

LC-DISPLAY



Product characteristics	
Housing	housing for panel mounting
Dimensions [mm]	39 x 75 x 54
Application	
Application	scalable display for sensors with analogue output
Inputs / outputs	
Number of inputs and outputs	Number of analogue inputs: 1
Inputs	
Number of analogue inputs	1
Analogue input (voltage) [V]	10...50
Operating conditions	
Ambient temperature [°C]	0...60
Protection	IP 65; (mounted with washer)
Mechanical data	
Weight [g]	120
Housing	housing for panel mounting
Dimensions [mm]	39 x 75 x 54
Materials	plastics



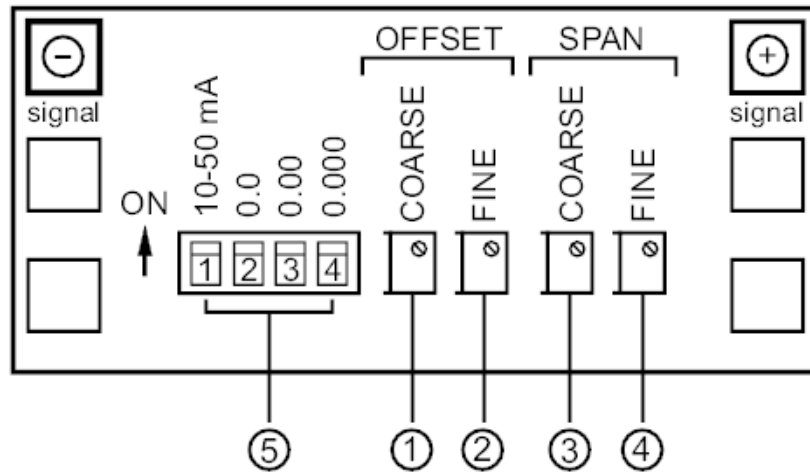
## LC display

LC-DISPLAY

### Electrical connection

terminals: ...2.5 mm<sup>2</sup>

### Connection



- potentiometer
- 1 zero point adjustment coarse
- 2 zero point adjustment fine
- 3 Display range coarse
- 4 Display range fine
- DIP switch
- 5 decimal point , input 10...50mA