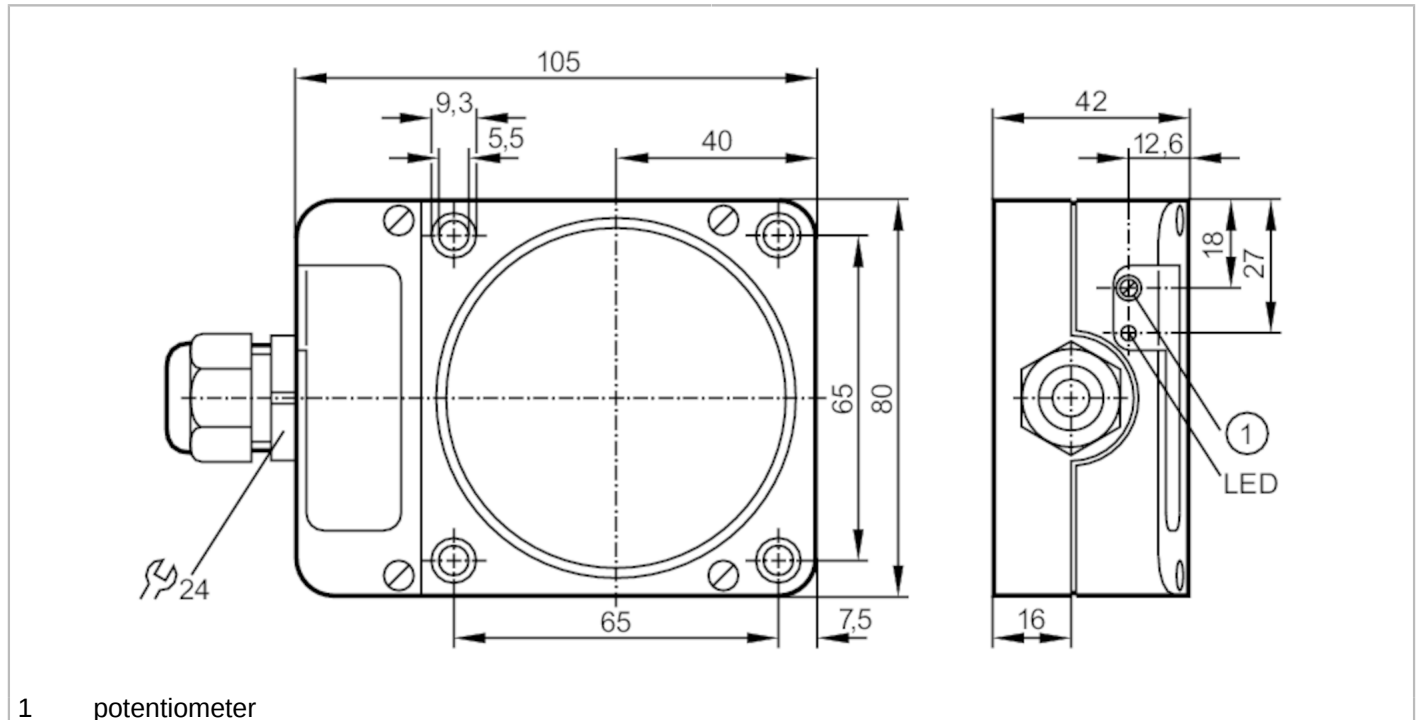


ID503A



Inductive sensor

IDE3060-FPKG/2D



1 potentiometer



Product characteristics

Electrical design		PNP
Output function		normally open / normally closed; (selectable)
Sensing range	[mm]	60
Housing		rectangular
Dimensions	[mm]	105 x 80 x 42

Electrical data

Operating voltage	[V]	10...30 DC
Current consumption	[mA]	< 15
Protection class		III
Reverse polarity protection		yes

Outputs


Electrical design		PNP
Output function		normally open / normally closed; (selectable)
Max. voltage drop switching output DC	[V]	2.5
Permanent current rating of switching output DC	[mA]	40
Short-time current rating of switching output	[mA]	40
Switching frequency DC	[Hz]	100
Short-circuit protection		yes
Type of short-circuit protection		pulsed
Overload protection		yes

ID503A



Inductive sensor

IDE3060-FPKG/2D

Detection zone		
Sensing range	[mm]	60
Sensing range adjustable		yes
Factory setting sensing range	[mm]	60
Real sensing range Sr	[mm]	60 ± 10 %
Operating distance	[mm]	0...48
Accuracy / deviations		
Correction factor		steel: 1 / stainless steel: 0.7 / brass: 0.4 / aluminium: 0.3 / copper: 0.2
Hysteresis	[% of Sr]	1...15
Switch point drift	[% of Sr]	-10...10
Operating conditions		
Ambient temperature	[°C]	-20...60
Protection		IP 65
Tests / approvals		
Approval		BVS 12 ATEX E 125 X; IECEx BVS 12.0078 X
ATEX marking		 II 2D Ex tb IIIC T90°C Db IP65
EMC		EN 60947-5-2
MTTF	[years]	993
Mechanical data		
Weight	[g]	506.5
Housing		rectangular
Mounting		non-flush mountable
Dimensions	[mm]	105 x 80 x 42
Materials		PPE modified; PA
Tightening torque	[Nm]	housing screws: 0,9 Nm; screws: 4 Nm
Displays / operating elements		
Display	switching status	1 x LED, yellow
Accessories		
Accessories (supplied)		screwdriver: 1
Remarks		
Pack quantity		1 pcs.

ID503A



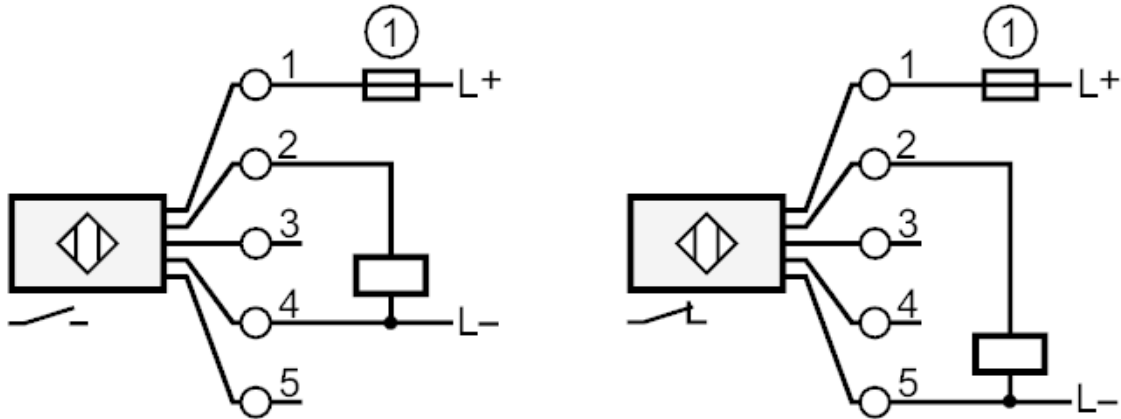
Inductive sensor

IDE3060-FPKG/2D

Electrical connection

terminals: 0.34...2.5 mm²; Cable sheath: Ø 5...9 mm; Cable gland: M20 X 1.5

Connection



1

fuse