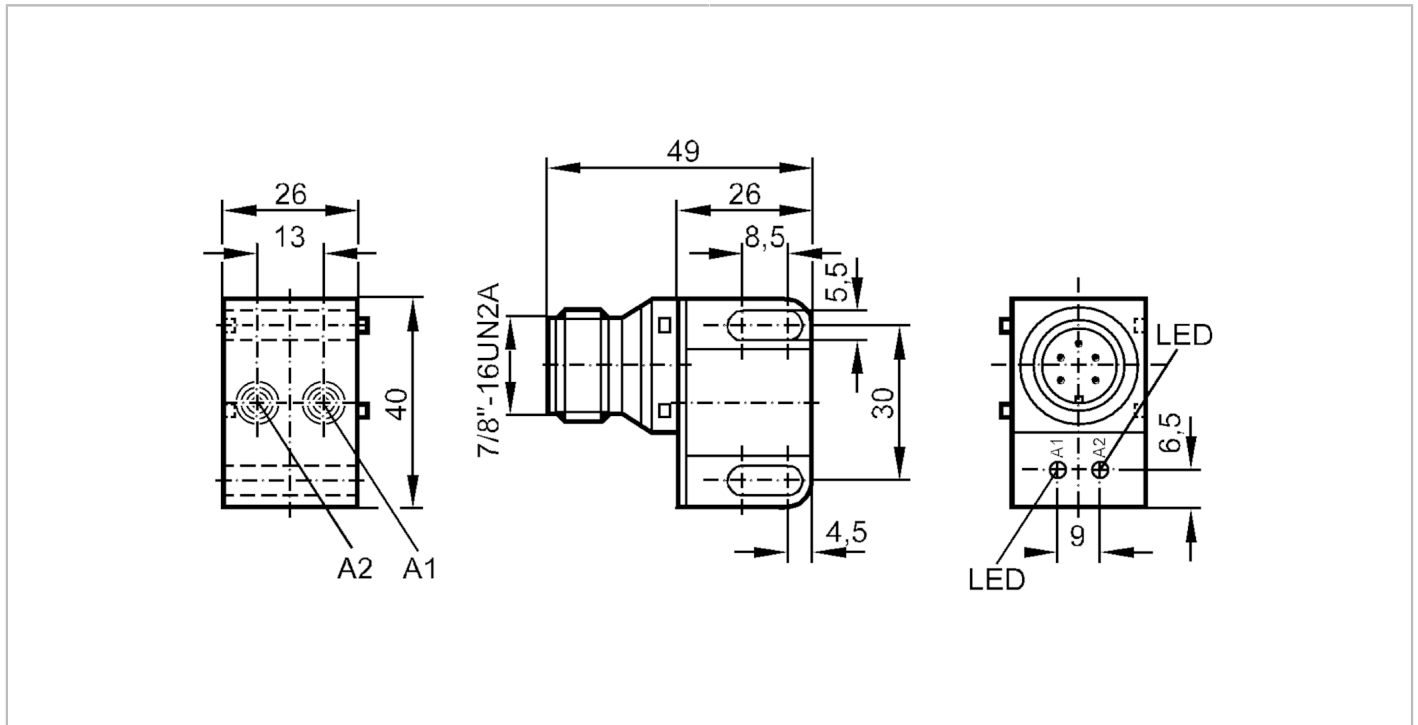


IN0117



Inductive dual sensor for valve actuators

IND2004DAROA/SL/LS-500 RT



Product characteristics

Output function		2 x normally open
Sensing range	[mm]	4
Housing		rectangular
Dimensions	[mm]	40 x 26 x 26

Electrical data

Frequency AC	[Hz]	47...63
Operating voltage	[V]	20...140 AC / 10...140 DC
Protection class		I
Reverse polarity protection		no

IN0117



Inductive dual sensor for valve actuators

IND2004DAROA/SL/LS-500 RT

Outputs		
Output function	2 x normally open	
Max. voltage drop switching output DC [V]	5	
Max. voltage drop switching output AC [V]	5	
Minimum load current [mA]	5	
Max. leakage current [mA]	0.8	
Permanent current rating of switching output AC [mA]	200	
Permanent current rating of switching output DC [mA]	200	
Short-time current rating of switching output [mA]	900; (20 ms / 0,5 Hz)	
Switching frequency AC [Hz]	25	
Switching frequency DC [Hz]	25	
Short-circuit proof	no	
Overload protection	no	
Detection zone		
Sensing range [mm]	4	
Real sensing range Sr [mm]	4 ± 10 %	
Operating distance [mm]	0...3.25	
Accuracy / deviations		
Correction factor	steel: 1 / stainless steel: 0.7 / brass: 0.4 / aluminium: 0.3 / copper: 0.2	
Hysteresis [% of Sr]	3...15	
Switch point drift [% of Sr]	-10...10	
Operating conditions		
Ambient temperature [°C]	-25...80	
Protection	IP 67	
Tests / approvals		
EMC	EN 60947-5-2	
	EN 55011	class B
MTTF [years]	502	
Mechanical data		
Weight [g]	78.5	
Housing	rectangular	
Mounting	non-flush mountable	
Dimensions [mm]	40 x 26 x 26	
Materials	stainless steel (1.4305 / 303); PBT	
Displays / operating elements		
Display	switching status	2 x LED, red
Electrical connection		
Required protection	miniature fuse to IEC60127-2 sheet 1; ≤ 2 A; fast acting; Place the fuse outside the hazardous area.	

IN0117



Inductive dual sensor for valve actuators

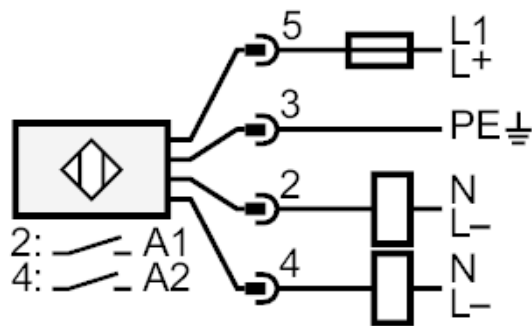
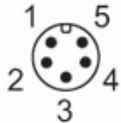
IND2004DAROA/SL/LS-500 RT

Remarks

Remarks	Recommendation: Check the safe functioning of the unit after a short circuit.
Pack quantity	1 pcs.

Electrical connection - plug

Connector: 1 x 7/8"



Note miniature fuse to IEC60127-2 sheet 1 ≤ 2 A fast acting
Place the fuse outside the hazardous area.