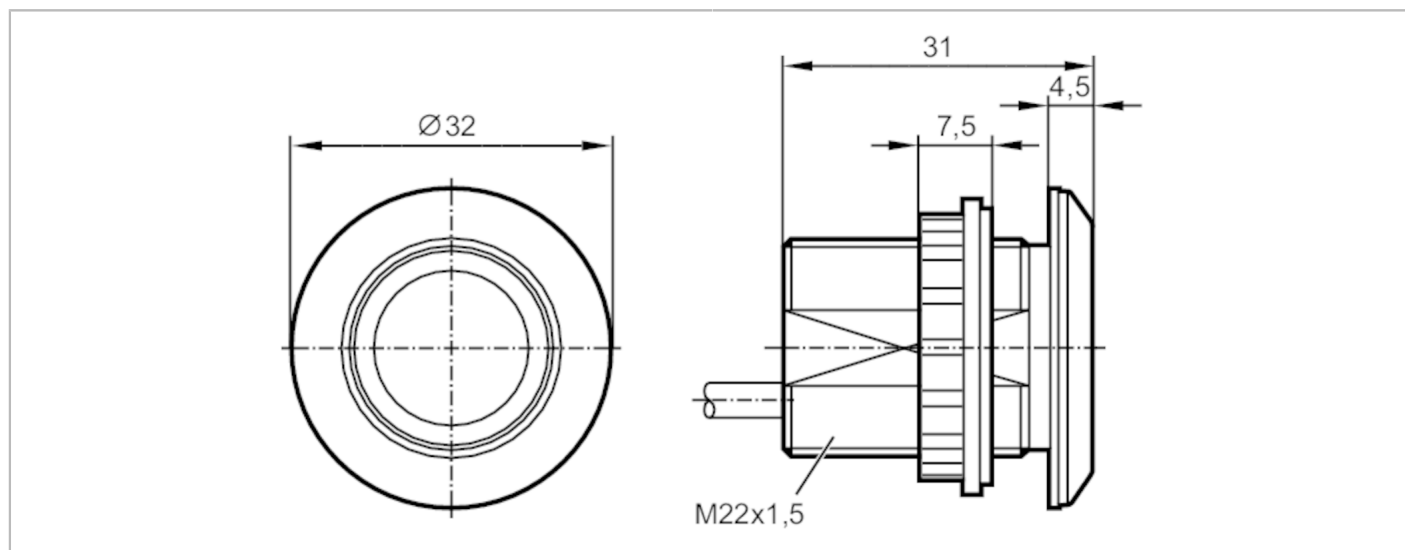


KT5310



Capacitive illuminated pushbutton

KTMSF-EGRBPKG/2M



Product characteristics	
Electrical design	PNP
Output function	normally open
Dimensions [mm]	Ø 32 / L = 31
Application	
Operating principle	static
Electrical data	
Operating voltage [V]	12...30 DC
Current consumption [mA]	30
Protection class	III
Reverse polarity protection	yes
Max. power-on delay time [ms]	500
Outputs	
Electrical design	PNP
Output function	normally open
Permanent current rating of switching output DC [mA]	200
Short-circuit protection	yes
Overload protection	yes
Response times	
Response time [ms]	35
Operating conditions	
Ambient temperature [°C]	-40...85
Protection	IP 65; IP 67; IP 69K; (on the front)
Tests / approvals	
EMC	IEC 61000-4

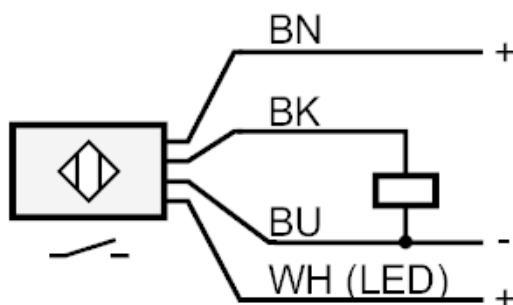
KT5310



Capacitive illuminated pushbutton

KTMSF-EGRBPKG/2M

Mechanical data		
Weight	[g]	116
Dimensions	[mm]	Ø 32 / L = 31
Materials	housing: stainless steel (1.4404 / 316L); active face: PA Grilamid TR 90UV	
Displays / operating elements		
Display	switching status	1 x LED, red
	function	1 x LED, green can be triggered
Accessories		
Accessories (supplied)	lock nuts: 1	
	Gasket: 1	
Accessories (optional)	symbol disc	
Remarks		
Pack quantity	1 pcs.	
Electrical connection		
Cable: 2 m, PUR		
Connection		



Core colours :

BK =	black
BN =	brown
BU =	blue
WH =	white