

Model Number

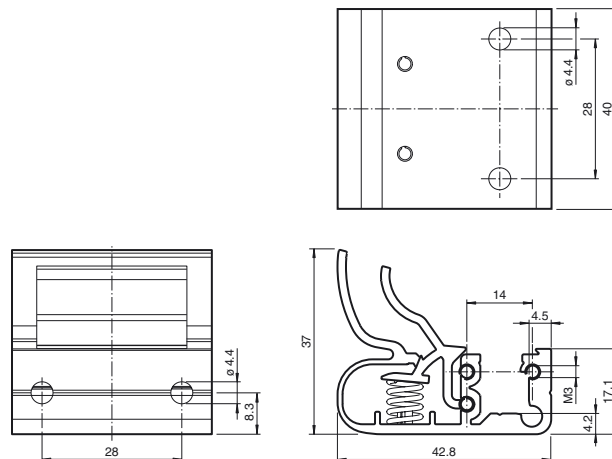
OMH-SLCT-01

Quick clamp and adjustment system

Features

- Mounting bracket
- Simple and fast mounting

Dimensions



Technical data

General specifications

Setting angle $\pm 7^\circ$

Mechanical specifications

Material aluminum
 Mass approx. 36 g

General information

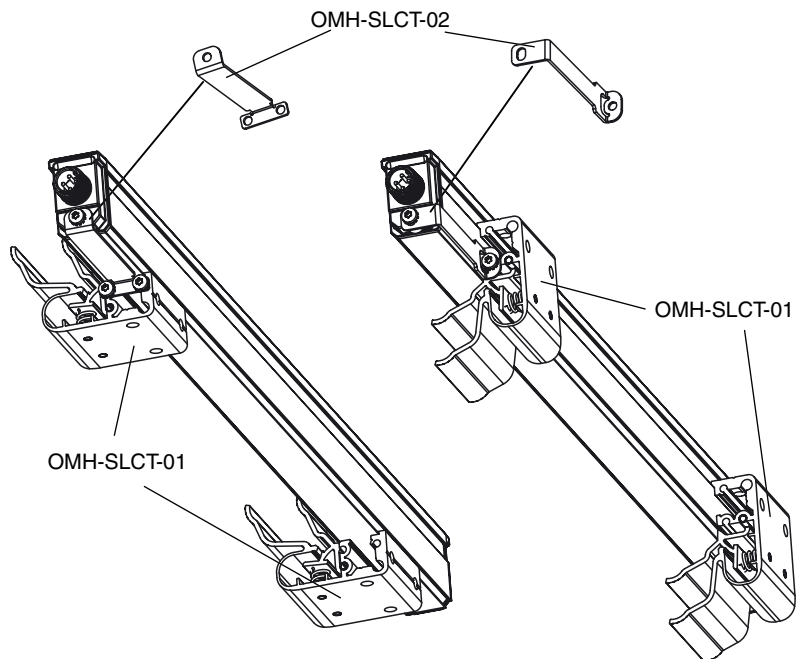
Scope of delivery Mounting bracket ; 1 Slotted plate ; 4 T-slides ; Screw kit

Suitable series

Safety Series SLCT
 SLCS

Mounting note

Rear view and lateral mounting.

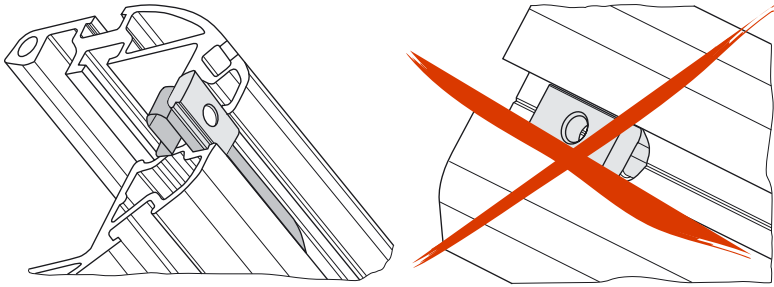


Slotted plate mounting aid

Each package comes with a slotted plate.
 To prevent the t-slides from clipping into the upper hole, cover the hole with the slotted plate.

Release date: 2014-09-18 11:07 Date of issue: 2014-09-18 208706_eng.xml

Then slide the t-slides into the guide.



Release date: 2014-09-18 11:07 Date of issue: 2014-09-18 208706_eng.xml