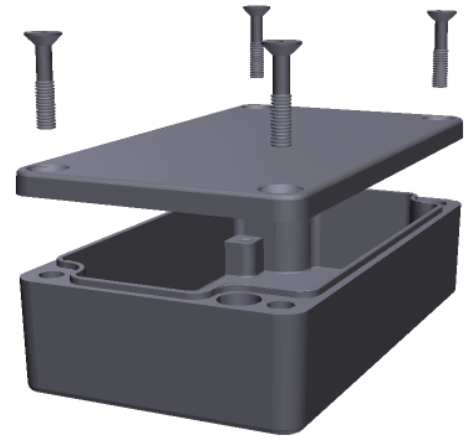
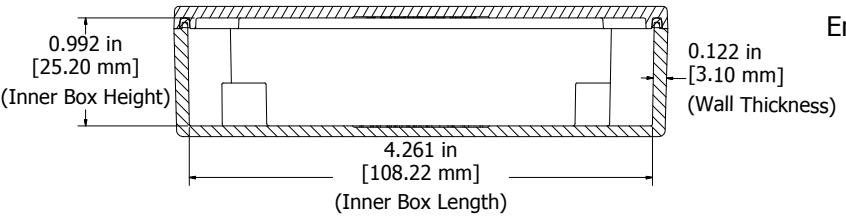
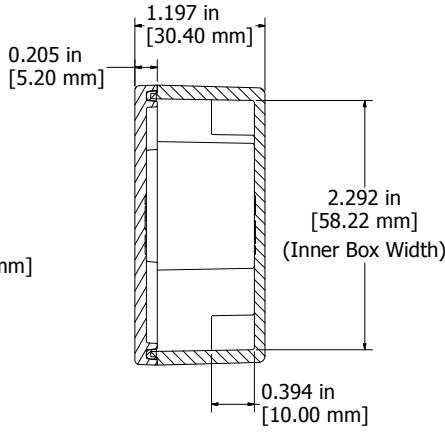
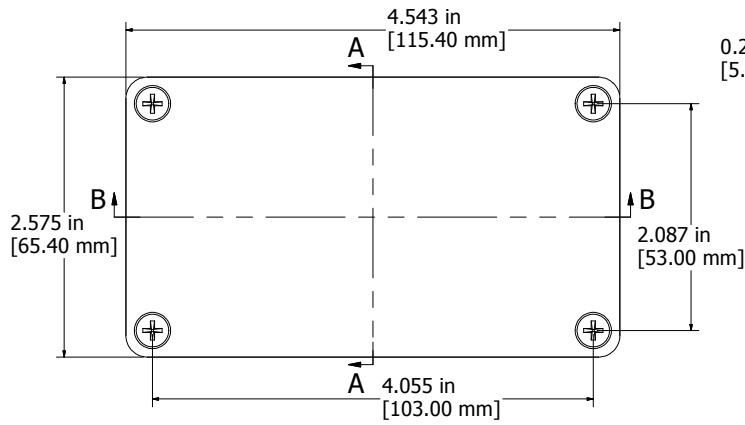


8 7 6 5 4 3 2 1



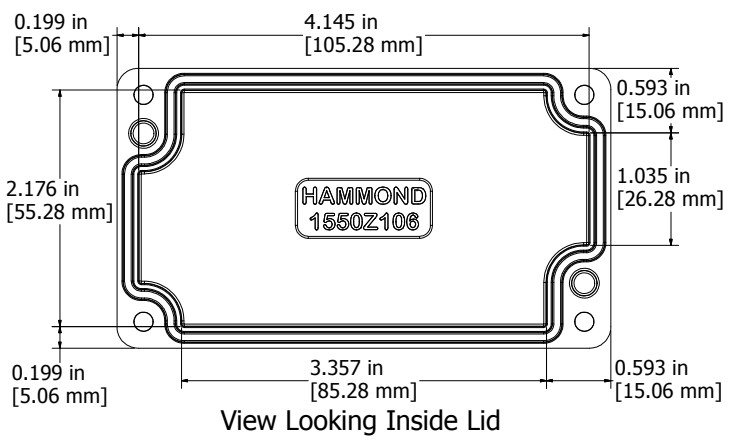
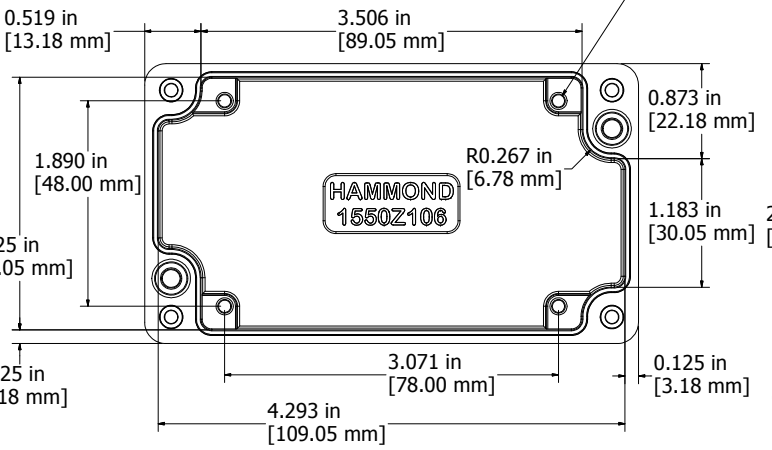
UL US LISTED
File #E71073
NEMA 4, 4X

Enclosures can be Factory Modified (Milling, Drilling, Printing etc.)
Contact Factory mjm@hammondmfg.com for quotes
Solid models of this enclosure available in STEP or IGES.

NOTES	
Purchased assembly includes enclosure, M4x20 lid screws and Pre-formed Silicone Gasket	
Cover screws should be torqued to 5-7.5 lbf.in (50-75 cN.m)	

1550Z106 PART NUMBERS	
Natural Finish Enclosure	1550Z106
Black Textured Enclosure	1550Z106BK

INTERNAL SHELF ACCEPTS #6 SELF TAPPING SCREW



HAMMOND MANUFACTURING™
1550Z106
www.hammondmfg.com

8 7 6 5 4 3 2 1