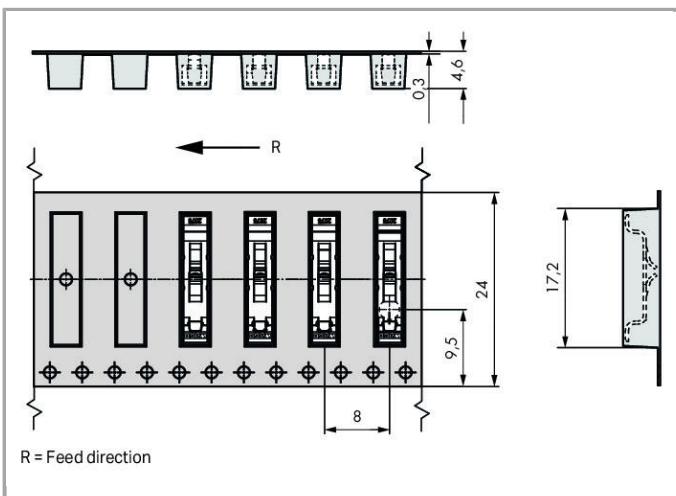
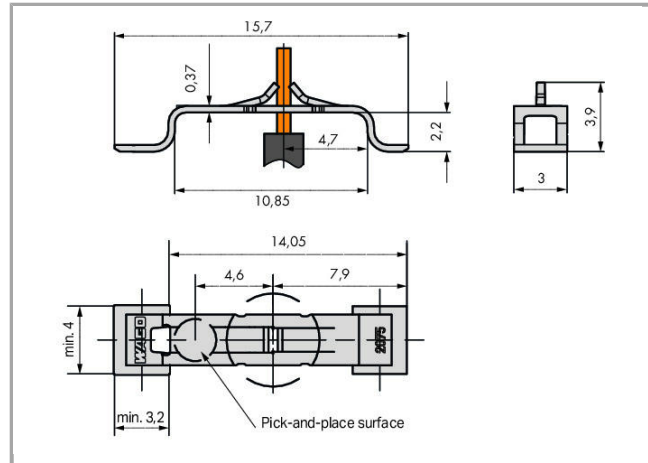


Data sheet | Item number: 2075-381/997-404

Through-Board SMD PCB Terminal Block; Pin spacing 3 mm; 1-pole; PUSH WIRE®; in tape-and-reel packaging; Without housing; 0,75 mm²



www.wago.com/2075-381/997-404



Item description

- For vertical wiring
- Wiring performed on the back of the LED module simplifies lighting manufacturing
- Low installation height minimizes on-board LED shadowing
- Compact design provides uniform light distribution
- An economical alternative to wire soldering
- For manual and automated wiring systems

Note:

Klemme ohne Isolationsgehäuse!

Der Berührungsschutz beim Einsatz von Spannungen größer als Kleinspannungen, wie z. B. SELV/PELV, ist in der Anwendung sicherzustellen.

Data

Electrical data

Ratings per IEC/EN 60664-1

Rated voltage (III / 3)	200 V
Rated impulse voltage (III / 3)	4 kV
Rated voltage (II / 2)	500 V
Rated impulse voltage (II / 2)	4 kV
Rated current	9 A

Connection data

Connection technology	PUSH WIRE®
Actuation type	Push-in
Solid conductor	0.34 ... 0.75 mm ² / 20 ... 18 AWG
Strip length	3.7 mm / 0.15 inch
Conductor entry angle to the PCB	90°
Total number of connection points	1
Total number of potentials	1
Number of connection types	1
Number of levels	1
No. of poles	1

Geometrical Data

Width	3 mm / 0.118 inch
Height	3.9 mm / 0.154 inch
Depth	17.5 mm / 0.689 inch
Reel diameter of tape-and-reel packaging	330 mm
Tape width	24 mm

PCB contact

PCB contact	SMD
-------------	-----

Material Data

Insulating material	Polyamide 66 (PA 66)
Flammability class per UL94	V0
Clamping spring material	Chrome nickel spring steel (CrNi)
Contact material	Electrolytic copper (E _{Cu})
Contact plating	tin-plated
Weight	0.16 g

Environmental Requirements


Limit temperature range	-60 ... +105 °C
-------------------------	-----------------

Commercial data


Country of origin	CH
GTIN	4055143607636
Customs Tariff No.	85369010000

Approvals / Certificates

Country specific Approvals

Logo	Approval	Additional Approval Text	Certificate name
	KEMA/KEUR DEKRA Certification B.V.	EN 60998	71- 107567

UL-Approvals

Logo	Approval	Additional Approval Text	Certificate name
	cURus Underwriters Laboratories Inc.	UL 1977	E45171 Sec. 24

Downloads

Documentation

Additional Information

Technical explanations	Apr 3, 2019	pdf 3.6 MB	Download
------------------------	-------------	---------------	----------



CAD/CAE-Data

CAD data

3D Download 2075-381/997-404

URL

Download

Subject to changes.

WAGO Kontakttechnik GmbH & Co. KG

Hansastr. 27

32423 Minden

Phone: +49571 887-0 | Fax: +49571 887-169

Email: info.de@wago.com | Web: www.wago.com

Do you have any questions about our products?

We are always happy to take your call at +49 (571) 887-44222.