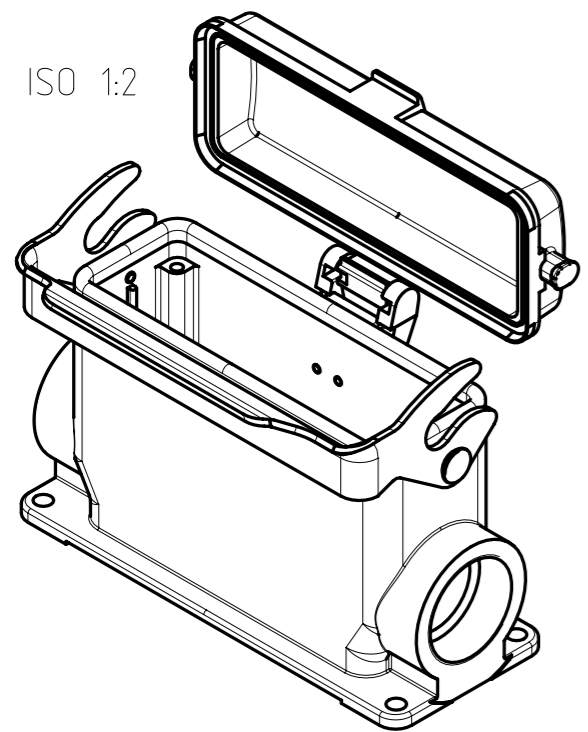
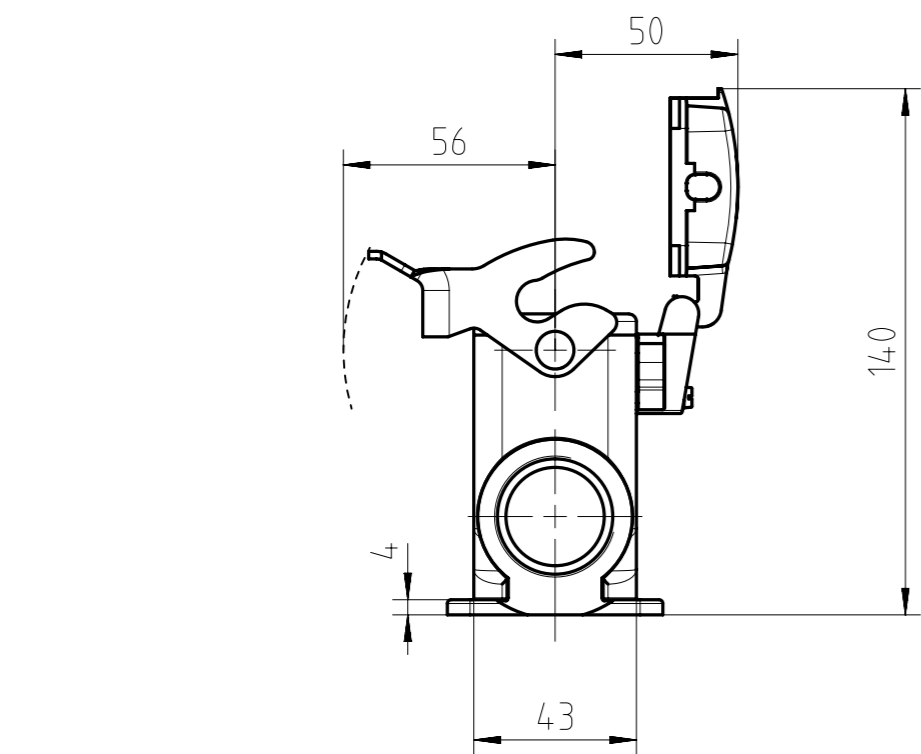
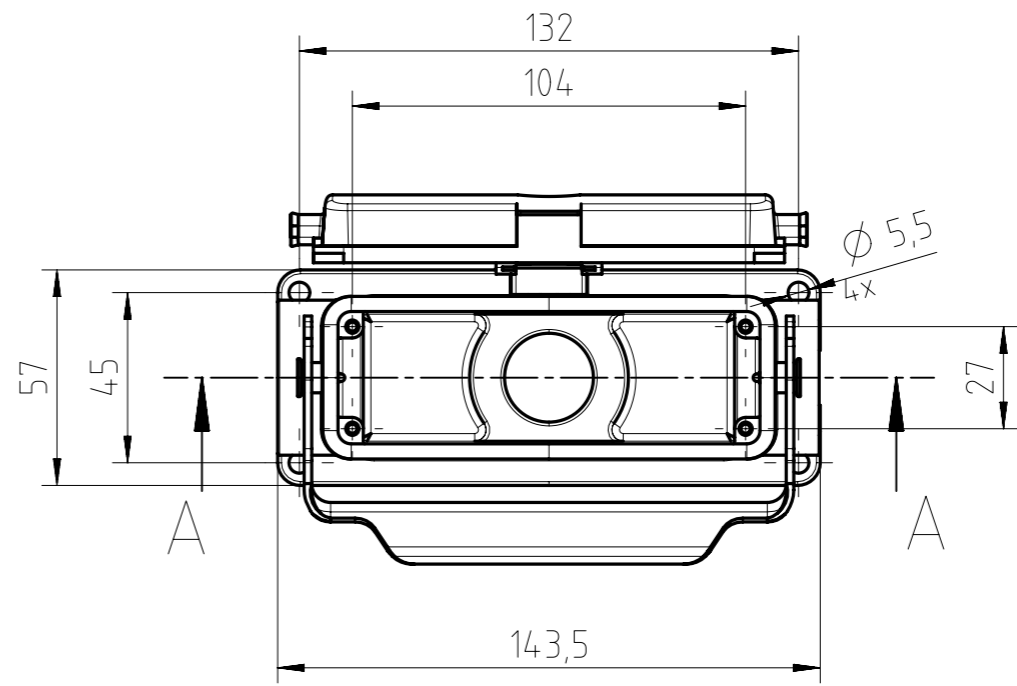
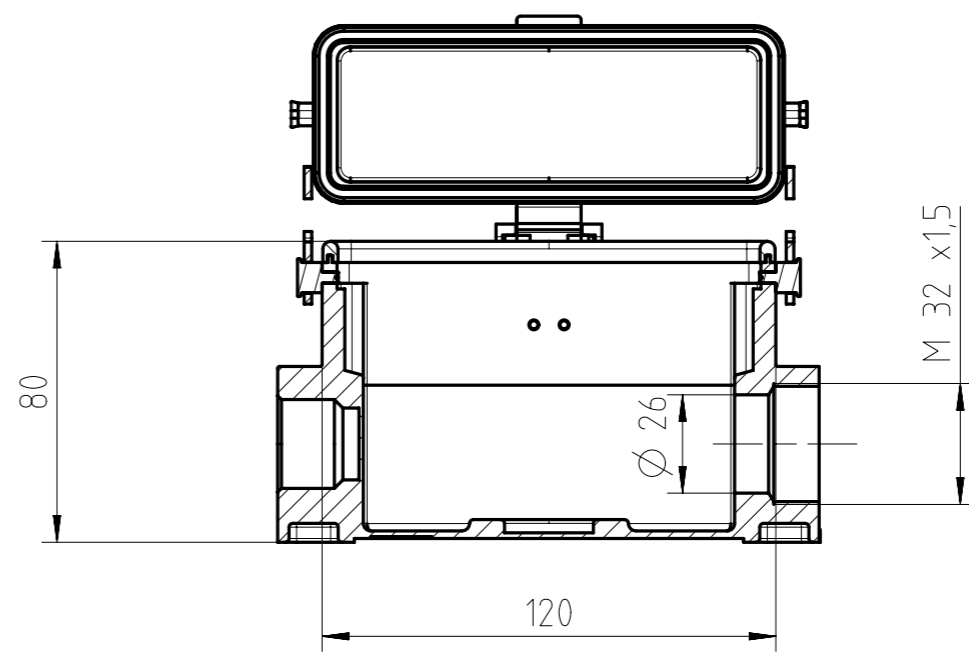


Copying of this document and giving it to others and the use or communication of the contents thereof, are forbidden without express authority. Offenders are liable to the payment of damages. All rights are reserved in the event of the grant of a patent or the registration of the utility model or design.



Alle technischen Daten wurden unter Laborbedingungen ermittelt und können im Praxisbetrieb abweichen.
 Es handelt sich bei den Angaben weder um Beschaffenheits- noch um Haltbarkeitsgarantien.
 All technical data have been measured in a laboratory environment and can be different during practical usage of the product. Any product information is for descriptive usage only and not legally binding; particularly the information does not constitute or provide any legal guarantees ("Beschaffenheitsgarantie" or "Haltbarkeitsgarantie").

SECTION A-A



mit Deckel
with cover

Gewicht (errechnet) / Calc WT: g		Zul. Abw./Tolerances:		Maßstab / Scale: 1:2		A3			
Prüfmaß / Testdimension				DIN / ISO 13715		CUSTOMER DRAWING			
Teileindex / Partindexnumber				2014 Datum/Date		Name		Socketgehäuse 24pol Längsbügel housing, 1-lever-locking	
				Gez. / Drawn 11.04.		Hoe.			
				Gep. / Checked					
03 2014-00305		11.04.14		Hoe.		Amphenol-Tuchel Electronics GmbH		M C146 10N024 806 2	
Index		Änderung/Description		Datum/Date		Name		Blatt/Sheet 1	
								Ers. f. / Replacement for: M-C146 10N0XX XXX 2 - SE/TE	