

### Main

|                                       |  |
|---------------------------------------|--|
| Range of product                      | Preventa Safety detection                                  |
| Accessory / separate part designation | Laser alignment tool                                       |
| Accessory / separate part type        | Laser  |
| Accessory / separate part category    | Installation accessories                                   |
| Accessory / separate part destination | Safety light curtain type 4<br>Safety light curtain type 2 |

### Complementary

|            |                      |
|------------|----------------------|
| Net Weight | 1.76 lb(US) (0.8 kg) |
|------------|----------------------|

### Ordering and shipping details

|                       |                               |
|-----------------------|-------------------------------|
| Category              | 22455 - LIGHT CURTAINS - XUSL |
| Discount Schedule     | DS2                           |
| GTIN                  | 00785901502586                |
| Nbr. of units in pkg. | 1                             |
| Package weight(Lbs)   | 1 lb(US) (0.45 kg)            |
| Returnability         | No                            |
| Country of origin     | IT                            |

### Packing Units

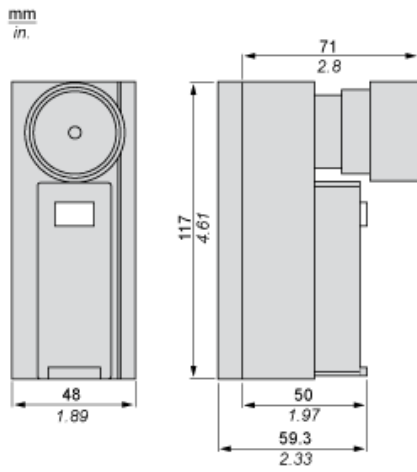
|                              |                        |
|------------------------------|------------------------|
| Unit Type of Package 1       | PCE                    |
| Package 1 Height             | 3.94 in (10 cm)        |
| Package 1 width              | 4.33 in (11 cm)        |
| Package 1 Length             | 9.06 in (23 cm)        |
| Unit Type of Package 2       | S02                    |
| Number of Units in Package 2 | 3                      |
| Package 2 Weight             | 3.56 lb(US) (1.615 kg) |
| Package 2 Height             | 5.91 in (15 cm)        |
| Package 2 width              | 11.81 in (30 cm)       |
| Package 2 Length             | 15.75 in (40 cm)       |

### Offer Sustainability

|                           |   |
|---------------------------|---|
| Sustainable offer status  | Green Premium product   |
| California proposition 65 | WARNING: This product can expose you to chemicals including: Diisononyl phthalate (DINP), which is known to the State of California to cause cancer, and Di-isodecyl phthalate (DIDP), which is known to the State of California to cause birth defects or other reproductive harm. For more information go to <a href="http://www.P65Warnings.ca.gov">www.P65Warnings.ca.gov</a> |
| REACH free of SVHC        | Yes   |
| EU RoHS Directive         | Pro-active compliance (Product out of EU RoHS legal scope) <a href="#">EU RoHS Declaration</a>  |
| Toxic heavy metal free    | Yes   |

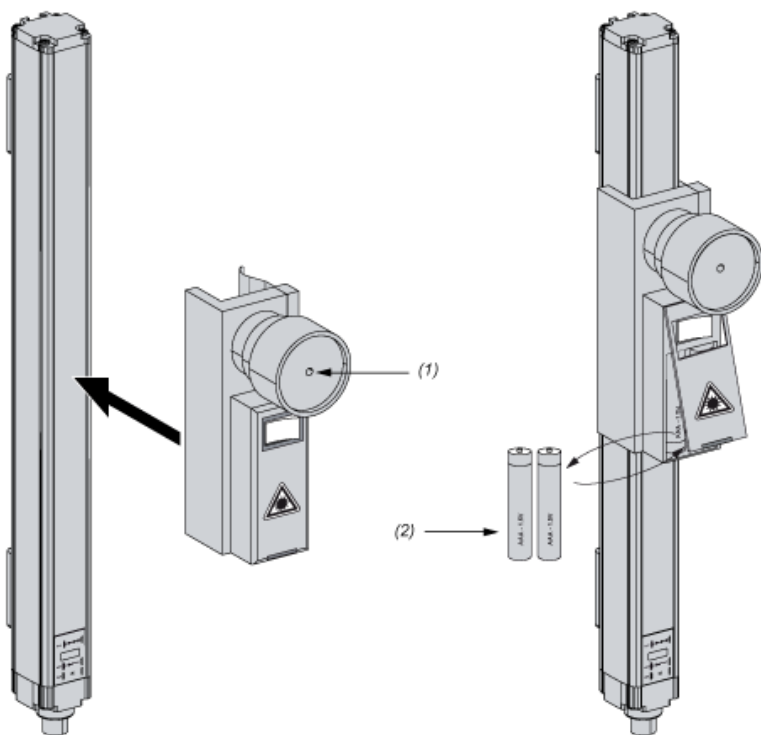
|                            |   |
|----------------------------|---|
| Mercury free               | Yes   |
| RoHS exemption information | <a href="#">Yes</a>                           |
| Environmental Disclosure   | <a href="#">Product Environmental Profile</a> |
| Circularity Profile        | <a href="#">End Of Life Information</a>       |

## Dimensions



## Mounting and Clearance

### Laser Alignment Device



- (1) Position of the laser beam
- (2) 2 AAA batteries (not part of package)