



PrimaVision Economy for CDM lamps

HID-PV E 70 /S CDM 220-240V

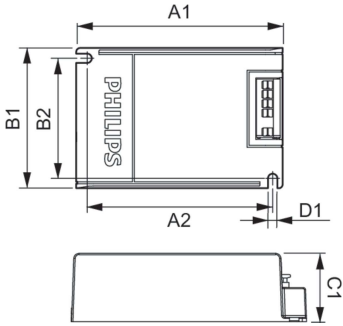
Single CDM lamp operation, single HID electronic gear – improves cost effectiveness and increases luminaire design flexibility

Product data

Operating and Electrical		Approval and Application	
Input Voltage	220 to 240 V	Approval Marks	CE marking ENEC certificate VDE certificate
Line Frequency	50 to 60 Hz		
Input Frequency	50 to 60 Hz		
Inrush Current Width	0.33 ms		
Inrush Current Peak (Max)	33 A		
Number of Products on MCB (16A Type B) (Nom)	20		
Wiring		Product Data	
Cable Length From Device to Lamp	2 m	Order product name	HID-PV E 70 /S CDM 220-240V
Connector Type	Insert	Full product name	HID-PV E 70 /S CDM 220-240V
		Full product code	871829118419500
		Order code	913700680966
		Material Nr. (12NC)	913700680966
		Numerator - Quantity Per Pack	1
		Net Weight (Piece)	0.215 kg
		EAN/UPC - Product/Case	8718291184195
		Numerator - Packs per outer box	12
		EAN/UPC - Case	8718291184201
Temperature			
Ambient temperature range	-20 °C to 50 °C		
T-Case Lifetime (Nom)	80 °C		
T-Case Maximum (Max)	80 °C		
Mechanical and Housing			
Housing	/S		

PrimaVision Economy for CDM lamps

Dimensional drawing



Product	D1	C1	A1	A2	B1	B2
HID-PV E 70 /S CDM 220-240V	4.9 mm	32.2 mm	109.6 mm	98.5 mm	74.4 mm	63.7 mm

