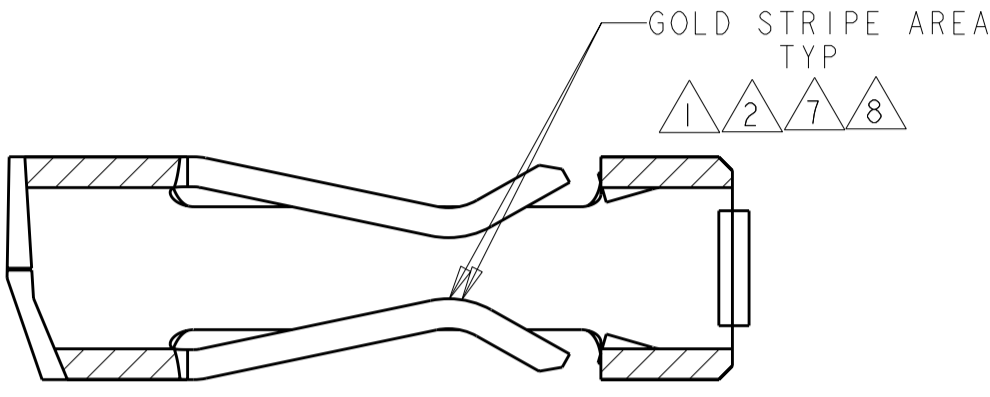
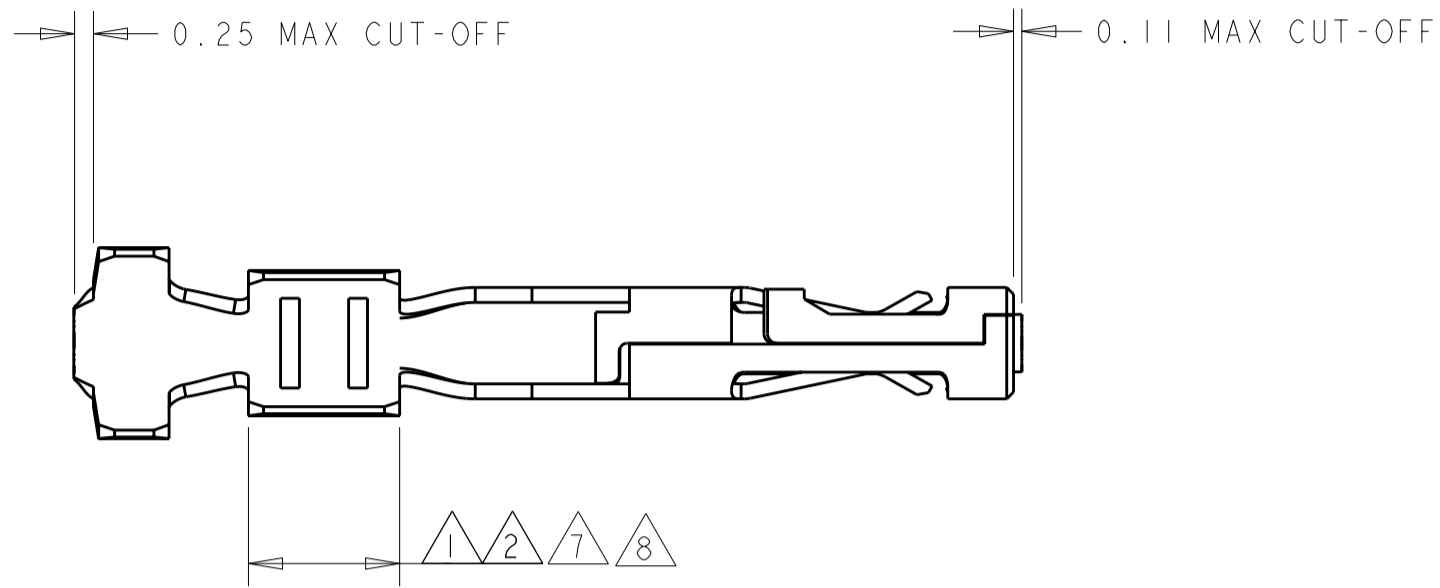


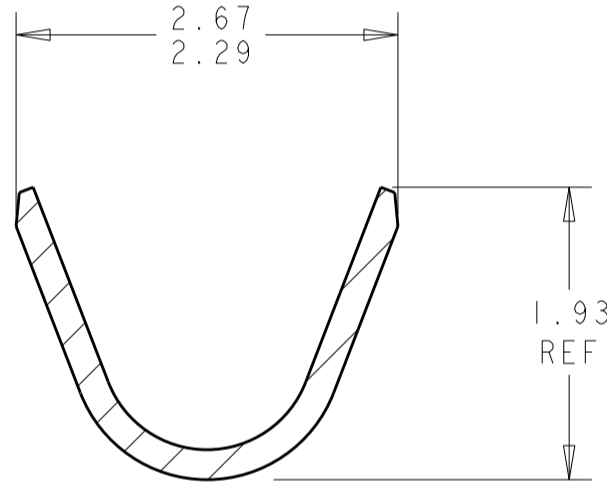
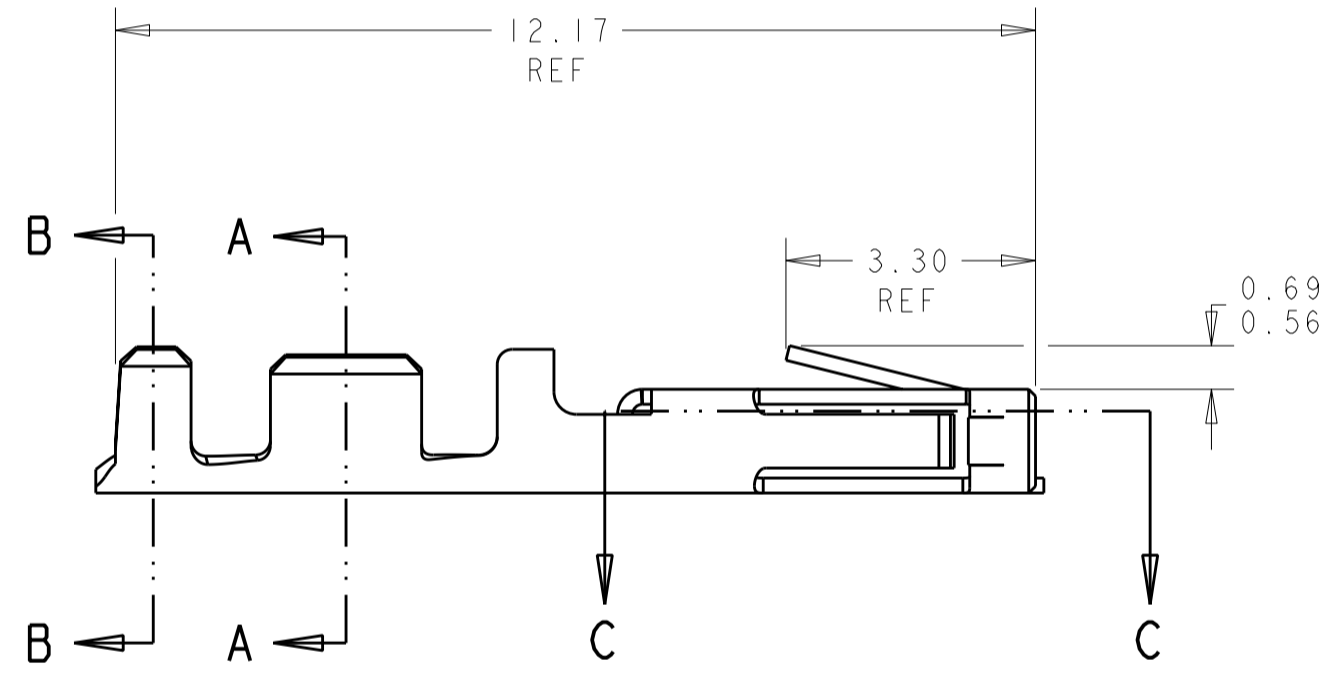
THIS DRAWING IS UNPUBLISHED. RELEASED FOR PUBLICATION
 © COPYRIGHT 20 BY - ALL RIGHTS RESERVED.

LOC	DIST	REVISIONS			
P	LTR	DESCRIPTION	DATE	DWN	APVD
CM	00				
	DI	REVISED PER ECO-11-005027	14MAR2011	RK	HMR

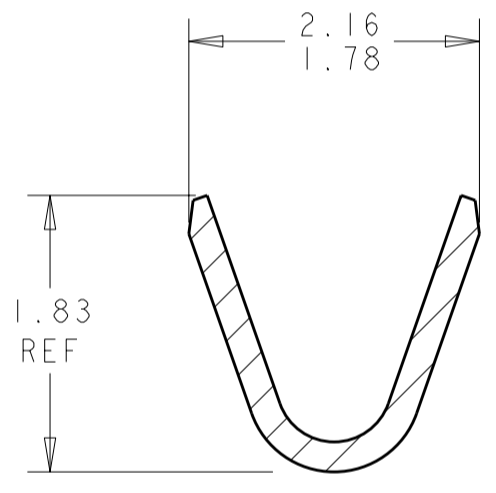


SECTION C-C
SCALE 20:1

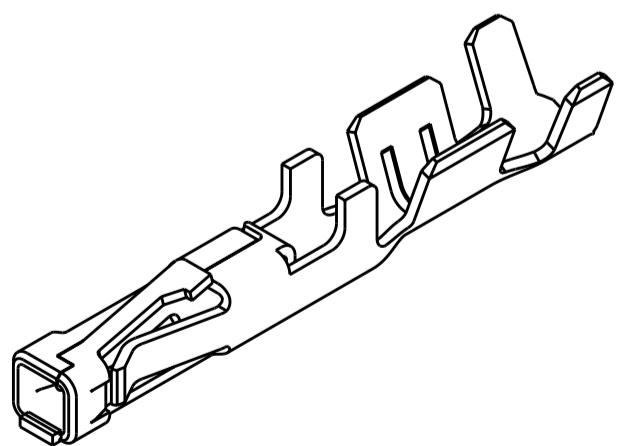
- 1 0.000762 THK GOLD STRIPE IN THE GOLD PLATE AREA, BRIGHT TIN IN THE CRIMP AREA, OVER NICKEL PLATE.
- 2 0.000381 THK GOLD STRIPE IN THE GOLD PLATE AREA, BRIGHT TIN IN THE CRIMP AREA, OVER NICKEL PLATE.
- 3 0.0015 - 0.0040 THK BRIGHT TIN.
- 4 WIRE RANGE: 20 - 24 AWG.
- 5 INSULATION RANGE 0.89 - 1.524.
- 7 0.000762 THK GOLD STRIPE IN THE GOLD PLATE AREA, BRIGHT TIN-LEAD IN THE CRIMP AREA, OVER NICKEL PLATE.
- 8 0.000381 THK GOLD STRIPE IN THE GOLD PLATE AREA, BRIGHT TIN-LEAD IN THE CRIMP AREA, OVER NICKEL PLATE.



SECTION B-B
SCALE 20:1



SECTION A-A
SCALE 20:1



3 DIMENSIONAL VIEW
SCALE 8:1

1	1-794610-2
2	1-794610-1
7	794610-3
8	794610-2
3	794610-1
FINISH	PART NUMBER



THIS DRAWING IS A CONTROLLED DOCUMENT.		DWN K. WHITAKER 19-OCT-1999	TE Connectivity	
DIMENSIONS: mm		CHK K. COBLE 19-OCT-1999		
TOLERANCES UNLESS OTHERWISE SPECIFIED: 0 PLC ± 1 PLC ± 2 PLC ±0.13 3 PLC ± 4 PLC ± ANGLES ±0.30° FINISH		APVD K. COBLE 19-OCT-1999	NAME CONTACT, RECEPTACLE, CRIMP, SNAP-IN, LOOSE PIECE, MICRO MATE-N-LOK(TM)	
MATERIAL 0.2 PH BRZ		PRODUCT SPEC -	SIZE A200779	CAGE CODE C-794610
SEE TABLE		APPLICATION SPEC -	DRAWING NO -	RESTRICTED TO -
CUSTOMER DRAWING		WEIGHT -	SCALE 10:1	SHEET 1 OF 1