




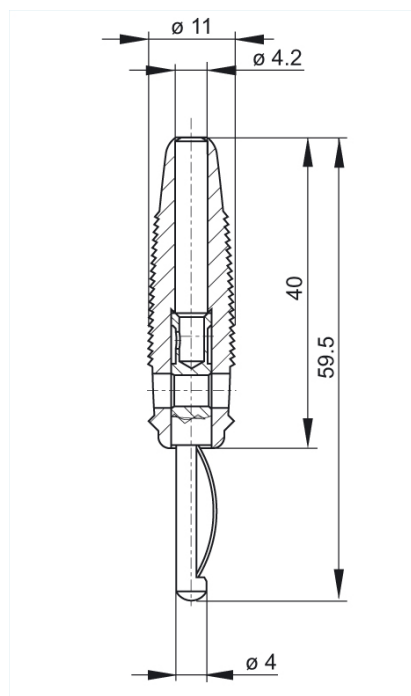
VQ 30 schwarz/black

Industrial Connectors:Measuring and Testing Equipment:Plugs:4 mm system

Product description

Description	Fully mating connector, shatter-proof, flexible insulated sleeve with transverse hole. The tapering sleeve end also serves as kinking protection for the lead. Solder connection up to maximum cable cross-section of 2.5 mm ² . Nickel-plated brass contact material.
Type	VQ 30 schwarz/black
Order No.	930 061-100
System	4 mm system
Housing Color	black
Color types	
Other standard types	red color, order no. 930 061-101; blue color, order no. 930 061-102; yellow color, order no. 930 061-103; green color, order no. 930 061-104

Drawing



Technical data

Pin dimensions	4 mm
Type of contact	pin (spring-loaded)
Type of termination	solder
Rated voltage	DC 60 V
Rated current	30 A
Contact resistance	3 mOhm
Material	
Contact material	brass
Contact surface material	nickel-plated
Housing material	PVC-P
Environmental conditions	
Temperature range	-25 °C to +70 °C
Inflammability class	
Housing	94 V-2