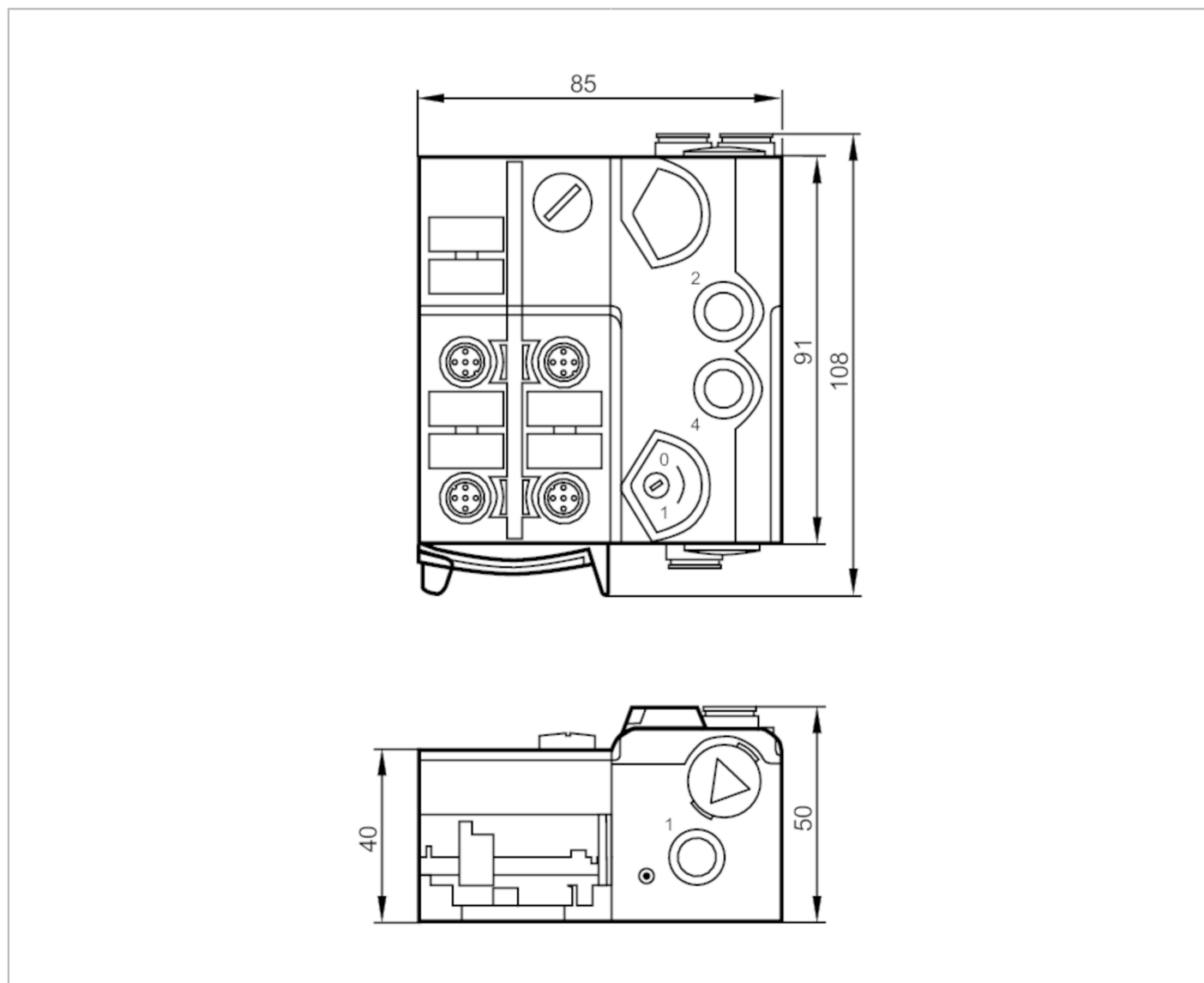


AC546A



AS-Interface Airbox with quick mounting technology

AirBox 5/2 4DI-Y II 3D



Electrical data

Operating voltage	[V]	26.5...31.6 DC
Max. current consumption from AS-i	[mA]	300
Integrated watchdog		yes

Inputs / outputs

Number of inputs and outputs	Number of digital inputs: 4; Number of pneumatic outputs: 1
------------------------------	---

AC546A



AS-Interface Airbox with quick mounting technology

AirBox 5/2 4DI-Y II 3D

Inputs					
Number of digital inputs	4				
Input circuit of digital inputs	PNP				
Sensor supply of the inputs	AS-i				
Voltage supply [V]	20...30; (via flat cable)				
Max. total current rating of inputs [mA]	200				
Input current High [mA]	6...10				
Input current Low [mA]	0...2				
Min. switching level high signal [V]	11				
Digital inputs protected against short circuits	yes				
Outputs					
Electrical design	AS-i				
Number of pneumatic outputs	1				
Operating conditions					
Ambient temperature [°C]	-10...50				
Protection	IP 50				
Tests / approvals					
ATEX marking	Ex II 3D Ex tc IIIB T80°C Dc X IP50				
EMC	EN 50295 IEC 61000-6-2				
MTTF [years]	317				
AS-i classification					
AS-i version	2.11 + 3.0				
AS-i addressing	addressing socket				
Extended addressing mode possible	yes				
AS-i profile	S-7.A.E				
AS-i I/O configuration [hex]	7				
AS-i ID code [hex]	A.E				
AS-i certificate pending	yes				
Assignment of the data bits	data bit	D0	D1	D2	D3
	input	1	2	3	4
	socket	I-1/2	I-1/2 I-2	I-3/4	I-3/4 I-4
	pin	4	2 4	4	2 4
	pneumatic output	4	-	-	-

AC546A



AS-Interface Airbox with quick mounting technology

AirBox 5/2 4DI-Y II 3D

Mechanical data		
Weight [g]	404	
Type of mounting	AS-i flat cables directly connectable	
Materials	PA; POM; piercing contacts: CuSn6 nickel-plated and tin-plated	
Pneumatic system	1 x 5/2-way slide valves (free from overlapping)	
Operating pressure range [bar]	3...8	
Operating pressure range [MPa]	0.3...0.8	
Air flow at 6/5 bar [l/min]	500	
Permissible compressed air	non-lubricated compressed air class 6-3-1; lubricated compressed air class 6-3-4	
Manual override	pressing/releasing or pressing/turning/locking	
Tube fittings	8 mm	
Exhaust	exhaust can be discharged through tube connection	
Displays / operating elements		
Display	operation	LED, green
	errors	LED, red
	function	LED, yellow
Accessories		
Accessories (supplied)	lower part	
Accessories (optional)	Mounting plate, E74999	
	Module lower part, E75000	
	Protective cap: M12, E73004	
	sealing plugs, E75231	
	Impact protection housing, E7000A	
	silencer, E75232	
	Push-in L-fitting, E75228	
	Push-in T-fitting, E75227	
Remarks		
Remarks	Mechanical protection has to be implemented.	
	Otherwise the unit must be installed together with the impact protection housing (E7000A).	
	If not pneumatically operated, E75231 sealing plug must be inserted.	
	Avoid ingress of dirt and dust.	
	Do not connect any of the following points to an external potential:	
	L-, L+, I-1, I-2, I-3, I-4	
The connections are electrically connected with the AS-i cable.		
Notes on compressed air and EMC/ESD at www.ifm.com		
Pack quantity	1 pcs.	

AC546A



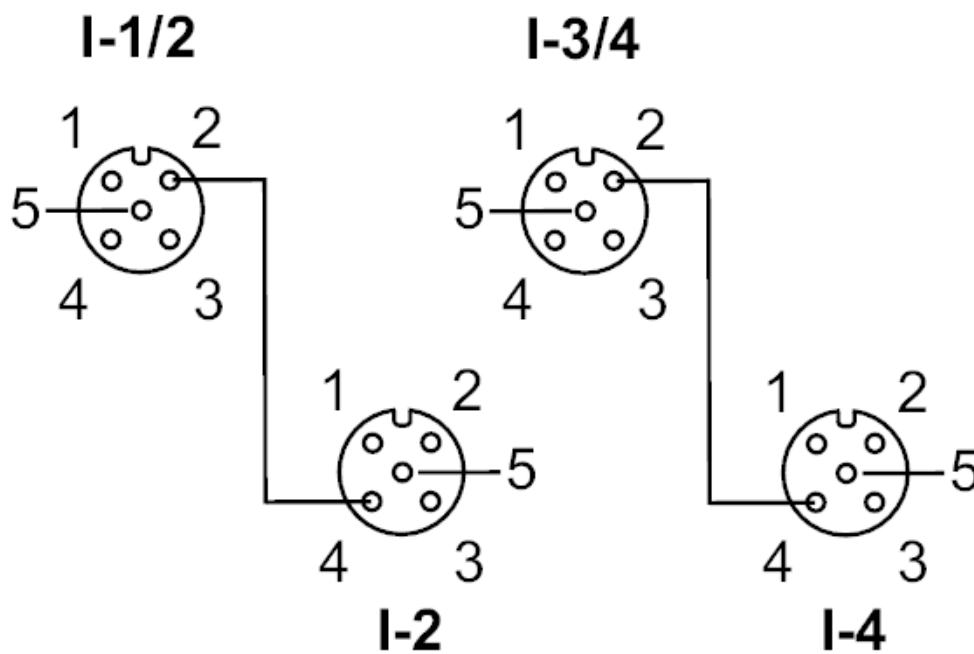
AS-Interface Airbox with quick mounting technology

AirBox 5/2 4DI-Y II 3D

Electrical connection

quick mounting technology for AS-i flat cable: ; three orientations possible

Connection



AC546A



AS-Interface Airbox with quick mounting technology

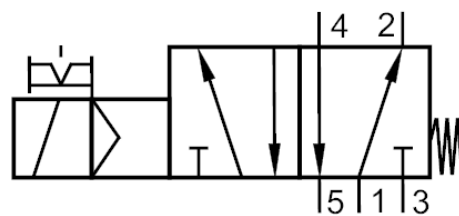
AirBox 5/2 4DI-Y II 3D

	Inputs
	socket I-1/2
1	Sensor supply L+
2	data input 2
3	Sensor supply L-
4	data input 1
5	not used
	socket I-2
1	Sensor supply L+
2	not used
3	Sensor supply L-
4	data input 2
5	not used
	socket I-3/4
1	voltage supply L+
2	data input 4
3	Sensor supply L-
4	data input 3
5	not used
	socket I-4
1	Sensor supply L+
2	not used
3	Sensor supply L-
4	data input 4
5	not used

Connector: M12

Diagrams and graphs

Pneumatic symbol



1 x 5/2-way slide valves (free from overlapping)