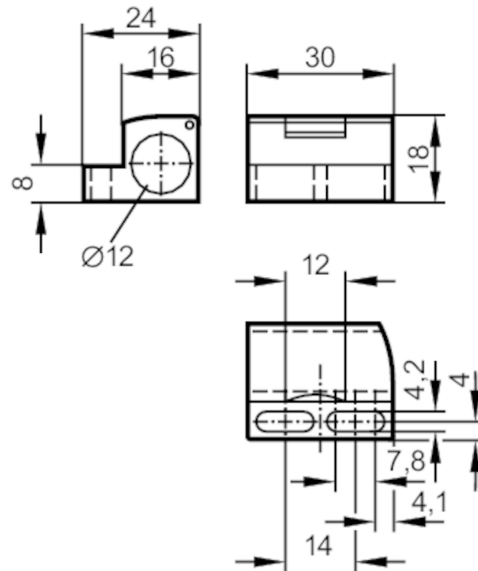


# E11047



## Mounting clamp for position sensors

MOUNTING CLAMP M12



### Application

Design with end stop

### Operating conditions

Ambient temperature [°C] -25...85

### Mechanical data

Weight [g] 8  
Dimensions [mm] 18 x 30 x 24  
Inside diameter [mm] 12  
Materials PC

### Remarks

Pack quantity 1 pcs.