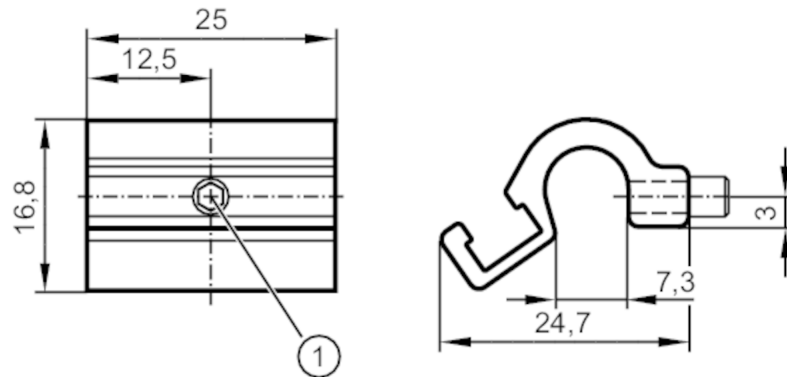


E11913



Mounting adapter for tie-rod/integrated profile cylinders

ADAPT TIE ROD CYL D3-6



1 Mounting screw SW 2

Application

Design for types MKT

Mechanical data

Weight [g] 9.4

Materials aluminium; screw: stainless steel

Clamping range [mm] 3...7

Accessories

Accessories (supplied) Mounting screw: 1

Remarks

Pack quantity 1 pcs.