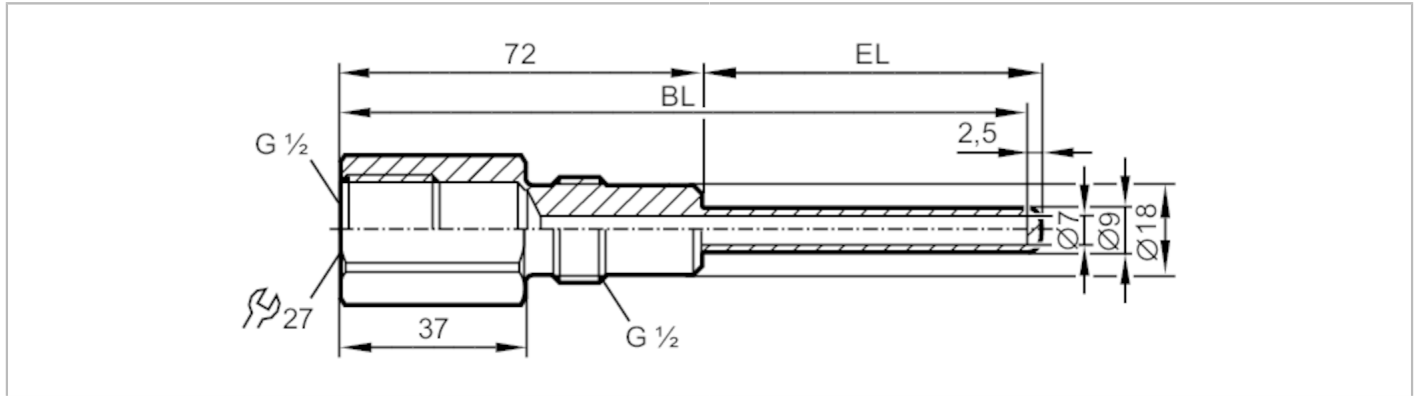


E37511



Thermowell for temperature sensors

THERMOWELL, D6/ G1/2 conical/L=100



EC 1935/2004 EHEDG Tested 

Application	
Design	for temperature sensors EL = 100 mm
Pressure rating [bar]	16
Mechanical data	
Weight [g]	184.3
Materials	stainless steel (1.4404 / 316L)
Sensor connection	G 1/2 sealing cone Ø 6 mm
Process connection	G 1/2
Surface characteristics Ra/Rz of the wetted parts	≤ 0.6 / -
Installation length EL [mm]	68
Bore length BL [mm]	137
Remarks	
Pack quantity	1 pcs.