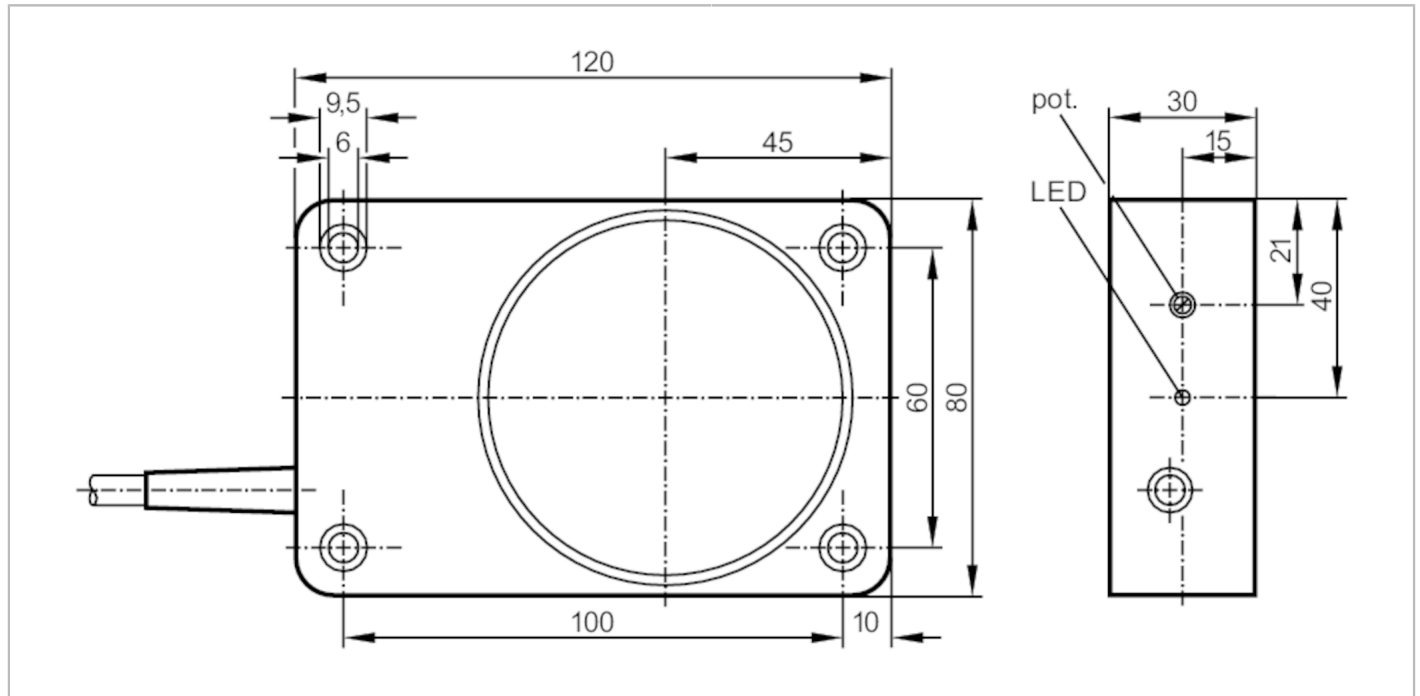


# ID5028



## Inductive sensor

ID-3050-ANKG



### Product characteristics

Electrical design		NPN
Output function		normally open
Sensing range	[mm]	50
Housing		rectangular
Dimensions	[mm]	120 x 80 x 30

### Electrical data

Operating voltage	[V]	10...36 DC
Current consumption	[mA]	15; (24 V)
Protection class		II
Reverse polarity protection		yes

### Outputs

Electrical design		NPN
Output function		normally open
Max. voltage drop switching output DC	[V]	2.5
Permanent current rating of switching output DC	[mA]	250
Switching frequency DC	[Hz]	8
Short-circuit protection		yes
Type of short-circuit protection		pulsed
Overload protection		yes

# ID5028



## Inductive sensor

ID-3050-ANKG

Detection zone		
Sensing range	[mm]	50
Sensing range adjustable		yes
Factory setting sensing range	[mm]	50
Real sensing range Sr	[mm]	50 ± 10 %
Operating distance	[mm]	0...40.5
Accuracy / deviations		
Correction factor		steel: 1 / stainless steel: 0.7 / brass: 0.4 / aluminium: 0.3 / copper: 0.2
Hysteresis	[% of Sr]	1...15
Switch point drift	[% of Sr]	-10...10
Operating conditions		
Ambient temperature	[°C]	-25...80
Protection		IP 65
Tests / approvals		
EMC		EN 60947-5-2
		EN 55011 class B
MTTF	[years]	1132
Mechanical data		
Weight	[g]	595.5
Housing		rectangular
Mounting		non-flush mountable
Dimensions	[mm]	120 x 80 x 30
Materials		PPE modified
Displays / operating elements		
Display	switching status	1 x LED, yellow
Accessories		
Accessories (supplied)		screwdriver: 1
Remarks		
Pack quantity		1 pcs.

# ID5028



## Inductive sensor

ID-3050-ANKG

### Electrical connection

Cable: 2 m, PVC; 3 x 0.5 mm<sup>2</sup>

### Connection



Core colours :

BN =

brown

BU =

blue

BK =

black