



Model number

VAZ-FK-R-BK

AS-Interface flat cable for external auxiliary voltage up to 24 V

Features

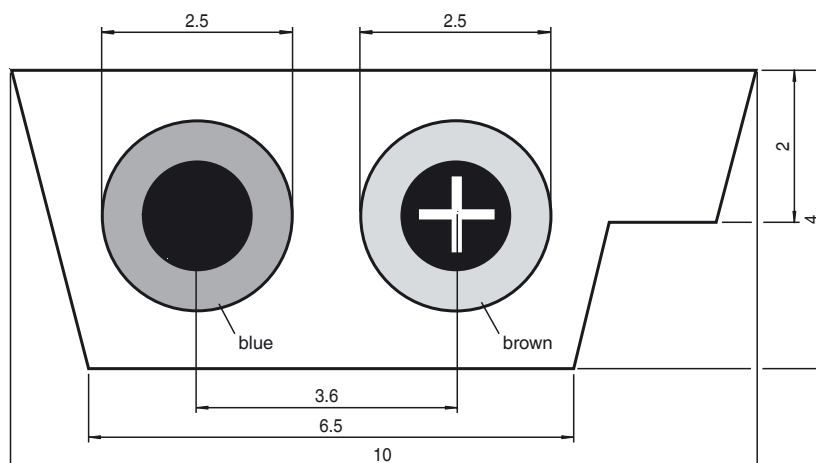
- Oil resistant
- Cable piercing technique
- Resistant to environmental influence
- Resistant to bending
- Suitable for drag chains
- Reverse polarity protected due to the shape of the cable
- Does not give off silicone
- Graduations in meters

Accessories

VAZ-FK-ED3

AS-Interface end seal for flat cable

Dimensions



Technical data

General specifications

UL File Number E130266

Electrical specifications

Nominal voltage U_n 300 V
Current loading capacity According to DIN VDE 0298 Part 4, Table 6, Column 4

Ambient conditions

Conductor temperature Operating mode: 90 °C (363 K)
Short-circuit: 200 °C (473 K)

Ambient temperature -40 ... 85 °C (-40 ... 185 °F) at standstill,
-25 ... 85 °C (-13 ... 185 °F) in motion

Mechanical specifications

Core cross-section Copper tin-plated, extra-fine wire, class 6 in accordance with DIN VDE 0295
cross-section 1.5 mm²

Bending radius min. permissible bend radii in accordance with DIN VDE 0298 Part 3, Table 2
Bending stress only permitted on the wide side of the cable

Tension loading max. 50 N/mm² on laying acc. to DIN VDE 0298 Part 3

Material Thermoplastic Elastomer (TPE)

Core insulation Thermoplastic Elastomer (TPE)

Cable UL-Style 2103

Color black (Similar to RAL 9005)

Drag chain suitability

Drag chain cycles ≥ 10000000

Motion velocity ≤ 4 m/s

Traverse distance 10 m

Acceleration ≤ 4 m/s²

Cable length 100 m

Flammability

Cable Flame-retardant as per IEC 60332-1 and UL 758