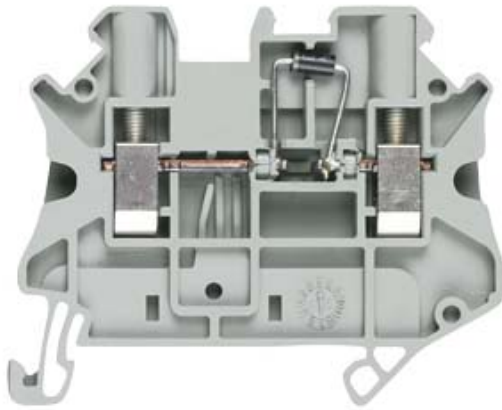


DIODE TERMINALS WITH SCREW CONNECTION
 CROSS SECTION 4,0 QMM TERMINAL WIDTH 6,2
 MM COLOR GREY FORWARD CURENT RIGHT TO
 LEFT



Model		
Design of terminal / Terminal levels internally linked		No
General technical data		
Insulation material		thermoplastic
Terminal contact spacing	mm	6.2
Protection class		
Combustibility class acc. to UL 94		V0
Main circuit		
Operating voltage / Rated value	V	800
Operating current / Rated value	A	0.5
Appearance		
Color		beige
Product details		
Product component / required / connection plate		Yes
Number		
Number of terminal levels		1
Number of terminal points / per terminal level		2
Connections		
Connectable conductor cross-section		
<ul style="list-style-type: none"> • solid — minimum — maximum 	<ul style="list-style-type: none"> mm² mm² 	<ul style="list-style-type: none"> 0.14 6

<ul style="list-style-type: none"> finely stranded <ul style="list-style-type: none"> — with core end processing / minimum — with core end processing / maximum 	mm ²	0.14
	mm ²	4
Type of electrical connection		
<ul style="list-style-type: none"> 1 2 		screw-type terminal screw-type terminal
Position / of the terminal		lateral

Mechanical Design		
Height / with lowest-profile installation	mm	47.5
Length	mm	47.7
Mounting type		DIN rail 35 mm
Material / of the insulating body		Thermoplast

Environmental conditions		
Ambient temperature		
<ul style="list-style-type: none"> during operation / minimum during operation / maximum 	°C	-25
	°C	55

Certificates		
Design tested acc. to type of protection / EEx e		No

General Product Approval	Declaration of Conformity
--------------------------	---------------------------



Further information

Information- and Downloadcenter (Catalogs, Brochures,...)

<http://www.siemens.com/lowvoltage/catalogs>

Industry Mall (Online ordering system)

<https://eb.automation.siemens.com/mall/en/WW/Catalog/Product/8WH10006KG00>

Service&Support (Manuals, Certificates, Characteristics, FAQs,...)

<http://support.automation.siemens.com/WW/view/en/8WH10006KG00/all>

Image database (product images, 2D dimension drawings, 3D models, device circuit diagrams, ...)

http://www.automation.siemens.com/bilddb/cax_en.aspx?mlfb=8WH10006KG00

CAX-Online-Generator

<http://www.siemens.com/cax>

Tender specifications

<http://ausschreibungstexte.siemens.com/tiplv>

last modified:

11.03.2015