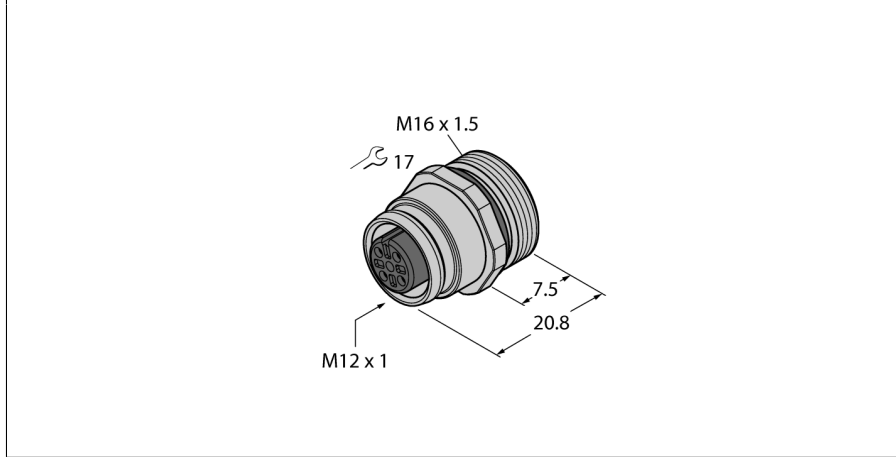
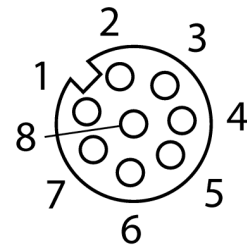


Accessories for actuator/sensor cables
female flange with solder contacts, front-mounted
EC-FK8-L/16



- M12 ⚡ 1 female receptacle
- Protection class IP67
- Front panel mounting
- Connected via solder contacts

Pin Assignment



Type designation	EC-FK8-L/16
Ident no.	6934632

Connector A side	Female receptacle, M12 ⚡ 1, Straight
Number of pins	8
Contacts	Brass, CuZn, Gold-plated
Contact carriers	Plastic, TPU, Black
Flange housing	Brass, CuZn, nickel-plated
Seal	Plastic, FPM/FKM
Screw-in thread seal	plastic, NBR
Screw-in thread	M16x1.5
Connection mode	Solder contact
Mechanical lifespan	> 100 Mating cycles
Pollution degree	3
Protection class	IP67, (screwed together)

Electrical features at +20 °C	
Rated voltage	30 V
Current	2 A
Insulation resistance	≥ 10 ⁸ Ω
Forward resistance	≤ 5 mΩ

Mechanical and chemical properties	
Ambient temperature	
Stationary	-30...+90°C

