

CLIFF

CLIFFCON-P IP65

Cliffcon-P is a range of power plugs and sockets. There are 2 types, Power In and Power Out. Plugs lock into sockets and have a keyway to prevent insertion of the wrong plug. When plug and socket are mated, they are IP65 rated. Gaskets with or without dust caps are also available, sold separately.



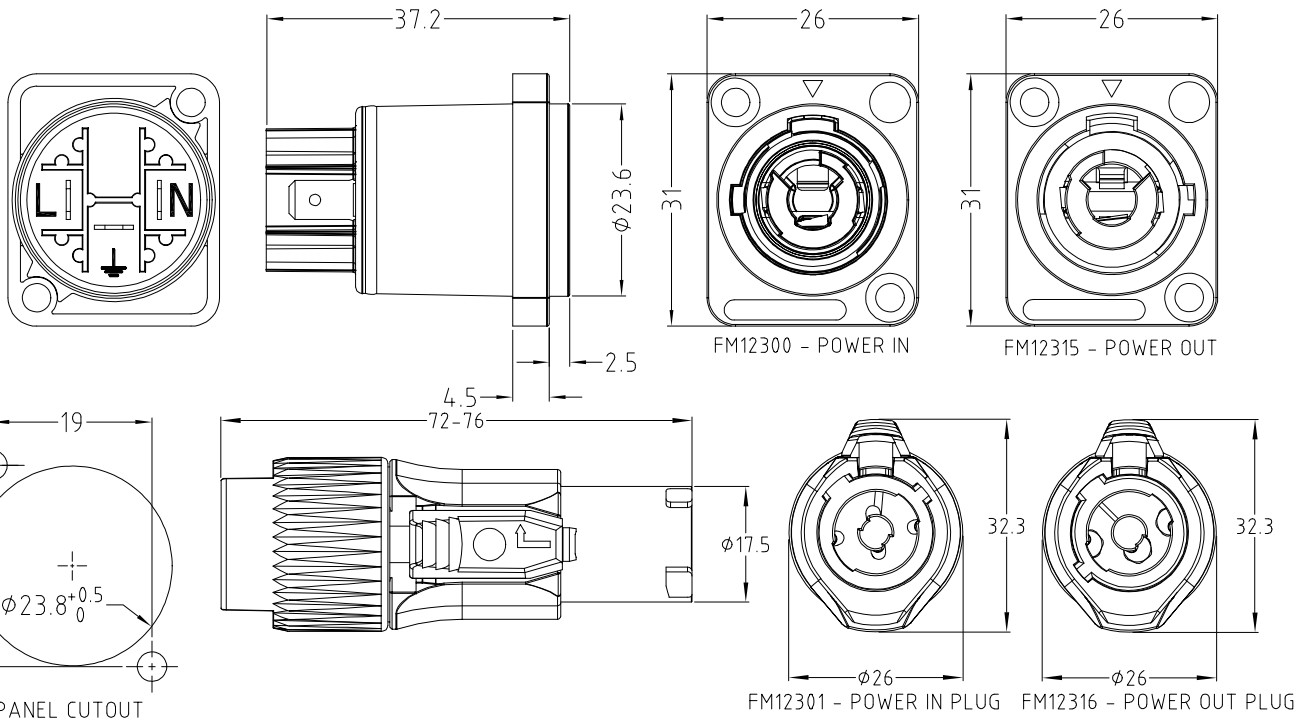
FM12300 - CLIFFCON-P POWER IN SOCKET IP65

FM12301 - CLIFFCON-P POWER IN PLUG IP65



FM12315 - CLIFFCON-P POWER OUT SOCKET IP65

FM12316 - CLIFFCON-P POWER OUT PLUG IP65

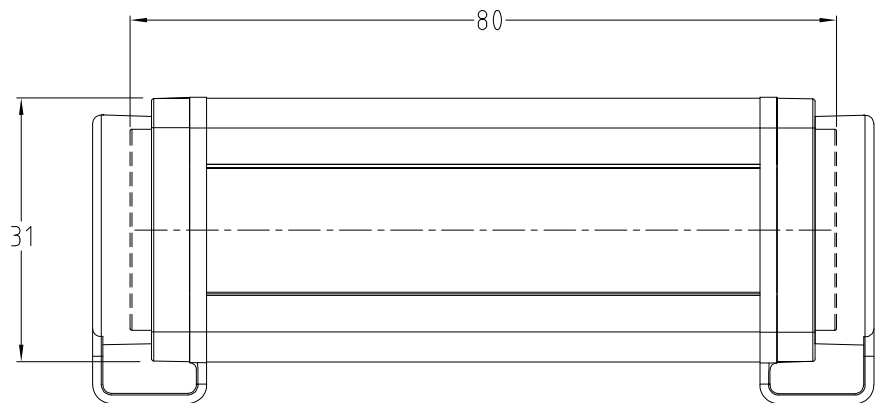


CLIFF

CLIFFCON-P IP65



FM12320 - CLIFFCON-P IN/OUT COUPLER.
Supplied with black dust caps fitted.

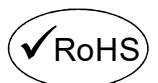


SPECIFICATION

Number of contacts:	2+PE
Contact Resistance:	$\leq 3\text{m}\Omega$
Insulation Resistance:	$\geq 100\text{M}\Omega$
Dielectric strength:	4000V DC
Rated Voltage:	250V AC
Rated current per contact:	20A rms
Temperature range:	-30 to +80°C
FM12300 mates with FM12301. IP65 rated when mated	
FM12315 mates with FM12316. IP65 rated when mated.	

For further information, contact sales@cliffuk.co.uk

Cliff Electronic Components Limited,
76 Holmethorpe Avenue, Holmethorpe Ind. Estate,
Redhill, Surrey RH1 2PF U.K.
Tel: +44 (0)1737 771375 Fax: +44 (0)1737 766012



Visit us online at:
www.cliffuk.co.uk