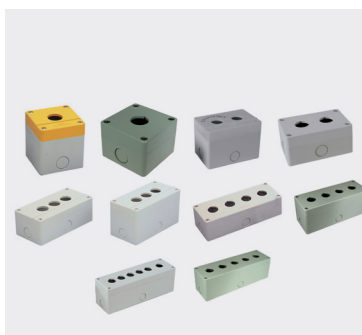


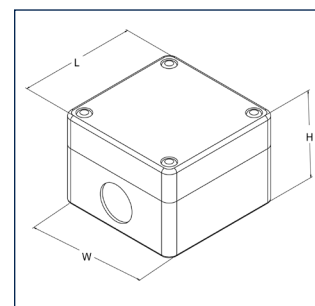
Waterproof Electrical Control Switch Enclosure

Product overview

- IP65 ABS enclosures suitable for control switches and equipment
- Single button enclosure available with a yellow lid, other sizes are subject to special request
- 22mm pre cut enclosures or solid enclosure modification to order.
- 21mm diameter (PG13.5) knockouts moulded into the enclosure
- Pre assembled control station and control switches available to order
- Larger sizes to order
- This series has been designed to meet the requirements of IP65



SPECIFICATION		
Material	ABS	
Protection class	This series has been designed to meet the requirements of IP65	
Rated temperature	Operating	-25°C to +70°C
	Storage	-40°C to +80°C
Standard colours	Box and lid	Grey RAL 7035 Yellow RAL 1103

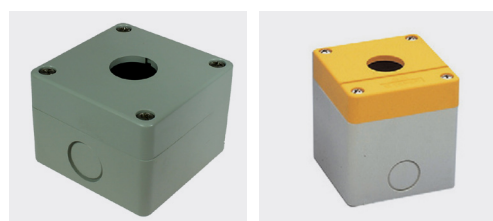


Without button cut out



PART NO.	LID COLOUR	LENGTH	WIDTH	HEIGHT
CCS00GY00	Grey	70mm	70mm	51mm
CCS03GY00	Grey	70mm	70mm	74mm
CCS05GY00	Grey	105mm	70mm	51mm
CCS06GY00	Grey	105mm	70mm	74mm
CCS07GY00	Grey	140mm	70mm	51mm
CCS08GY00	Grey	140mm	70mm	74mm
CCS09GY00	Grey	185mm	70mm	51mm
CCS10GY00	Grey	185mm	70mm	74mm

Single button cut out



PART NO.	LID COLOUR	LENGTH	WIDTH	HEIGHT
CCS00GY01	Grey	70mm	70mm	51mm
CCS00YW01	Yellow	70mm	70mm	51mm
CCS03GY01	Grey	70mm	70mm	74mm
CCS03YW01	Yellow	70mm	70mm	74mm

Two button cut out



PART NO.	LID COLOUR	LENGTH	WIDTH	HEIGHT
CCS05GY02	Grey	105mm	70mm	51mm
CCS06GY02	Grey	105mm	70mm	74mm

Three button cut out



PART NO.	LID COLOUR	LENGTH	WIDTH	HEIGHT
CCS07GY03	Grey	140mm	70mm	51mm
CCS08GY03	Grey	140mm	70mm	74mm

Four button cut out



PART NO.	LID COLOUR	LENGTH	WIDTH	HEIGHT
CCS09GY04	Grey	185mm	70mm	51mm
CCS10GY04	Grey	185mm	70mm	74mm

Five and six button cut out



PART NO.	BUTTONS	LID COLOUR	LENGTH	WIDTH	HEIGHT
CCS11GY05	5	Grey	225mm	70mm	74mm
CCS11GY06	6	Grey	225mm	70mm	74mm

ACCESSORIES

Mounting plates



PART NO.	DESCRIPTION
CCSP01	1
CCSP02	2
CCSP03	3
CCSP04	4
CCSP05	5

For 6 button use 2x CCSP03

KEY FEATURES

IP65 ABS | Metric knockouts | Larger sizes to order



ASSOCIATED PRODUCTS

- IP65 illuminated pushbuttons
- 22mm diameter control switches
- 22mm piezo switches