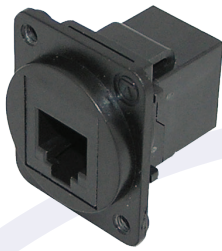




KCHDDpm



KCK66Dpm



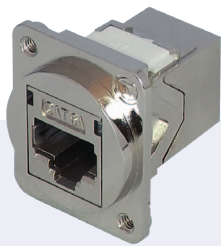
KCUABDpm



KCUAA2Dpm



SACK2Dpm



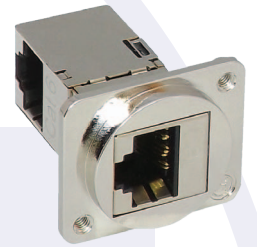
SGACK2SDSpm



SGKSsuDSpm



SACK3SDSpm
SACK3SDSpm#24
(Pack of 24)



SACK90SDSpm



FACK2Dpm



FACKSDSpm



SKFDpm



SKmcdpm



KOCMMDpm



KOCSDpm



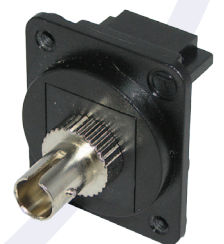
KOLMMDXDpm



KOLSMDXDpm



KOTMMDpm



KOTSMDpm



KBNC50Dpm



KBNC75Dpm



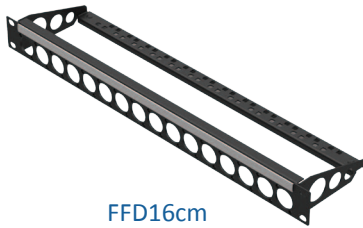
KSPbkDpm



KSPrdDpm



KADkpk



FFD16cm

| Code | Description |
|--------------|--|
| KCHDDpm | HDMI female to female coupler |
| KCK66Dpm | RJ12 6p6c female to female coupler |
| KCUABDpm | USB A female to B female coupler, reversible |
| KCUAA2Dpm | USB2.0 A female to A female coupler |
| SACK2Dpm | Category 6 coupler, unshielded |
| SGACK2SDSpm | Category 6A coupler, shielded |
| SGKSsuDSpm | Category 6A tool-less socket, shielded |
| SACK3SDSpm | Category 6 coupler, shielded |
| SACK90SDSpm | Cat 6 keystone coupler, w/rear outlet 90 degrees to front outlet, shielded or unshielded |
| FAKSDSpm | Category 5e keystone coupler, shielded |
| SKFDpm | Category 6 tool-less IDC socket, unshielded |
| SKmcDpm | Category 6 socket, LSA-Plus and 110 type termination, unshielded |
| KOCMMDpm | Fibre coupler SC to SC, multi mode simplex |
| KOCSMDpm | Fibre coupler SC to SC, single mode simplex |
| KOLMMDXDpm | Fibre coupler LC to LC, multi mode duplex |
| KOLSMDXDpm | Fibre coupler LC to LC, single mode duplex |
| KOTMMDpm | Fibre coupler ST to ST, multi mode simplex, black dustcover |
| KOTSMDpm | Fibre coupler ST to ST, single mode simplex, yellow dustcover |
| FAK2Dpm | Category 5e keystone coupler, unshielded |
| KBNC50Dpm | BNC 50 ohm in D UNIVERSAL adaptor |
| KBNC75Dpm | BNC 75 ohm in D UNIVERSAL adaptor |
| KSPbkDpm | Speaker module with black elastic identifier |
| KSPrdDpm | Speaker module with red elastic identifier |
| FFD16cm | 16 port panel for D UNIVERSAL series connectors with cable management |
| KADscrew R/F | M3 screw to fit standard panels, in bag of 50 pieces; roundhead or flathead, black |
| KADkpk | D UNIVERSAL Blank |

More Information:

TUK's D UNIVERSAL series of connectors offers a wide variety of audio, video and data connectors all available for use in standard 'D Series' XLR type cut-outs.

Designed for rear mounting, our connectors have a pleasing flush appearance when mounted in suitable panels. All items in the range can be mounted quickly without need for any securing nuts, as our mounting plates (made from black polycarbonate or nickel plated PC/ABS according to connector type) are pre-threaded for M3 screws.

All connectors are made to relevant standards. Category 6 and 6A connectors are produced, for example, to FCC68 and to TIA/EIA 568B and have an insertion life of >750 mating cycles. All products are CE compliant (i.e including ROHS and REACH)

TUK will be expanding the range available and continue to make new releases.

Specifications:

- Each connector supplied as a kit comprises of connector and D UNIVERSAL adaptor (KADpm)
- For specifications of couplers and sockets, see separate web pages as follows:
 - HDMI coupler: http://www.tuk.co.uk/tuk_live/product_details.php?category_id=&pId=185
 - RJ12 coupler: http://www.tuk.co.uk/tuk_live/product_details.php?category_id=&pId=170
 - USB2.0 AB keystone coupler: http://www.tuk.co.uk/tuk_live/product_details.php?category_id=&pId=182
 - USB2.0 AA keystone coupler: http://www.tuk.co.uk/tuk_live/product_details.php?category_id=&pId=224
 - Fibre couplers and sockets: http://www.tuk.co.uk/tuk_live/product_details.php?category_id=&pId=209
 - Cat 6 coupler, unshielded: http://www.tuk.co.uk/tuk_live/product_details.php?category_id=&pId=60
 - Cat 6A coupler, shielded: http://www.tuk.co.uk/tuk_live/product_details.php?category_id=&pId=150
 - Cat 6A tool-less socket, shielded http://www.tuk.co.uk/tuk_live/product_details.php?category_id=&pId=113
 - Cat 6 tool-less socket, unshielded: http://www.tuk.co.uk/tuk_live/product_details.php?category_id=&pId=173
 - Cat 5e coupler: http://www.tuk.co.uk/tuk_live/product_details.php?category_id=&pId=61
 - BNC 50 ohm: http://www.tuk.co.uk/tuk_live/product_details.php?category_id=1&pId=218
 - BNC 75 ohm: http://www.tuk.co.uk/tuk_live/product_details.php?category_id=1&pId=221
 - Speaker module: http://www.tuk.co.uk/tuk_live/product_details.php?category_id=1&pId=201
 - 90° Cat 6 Panel Mount Coupler: http://www.tuk.co.uk/tuk_live/product_details.php?category_id=&pId=133
- FFD16: Steel Panel punched for D UNIVERSAL/XLR type connectors, with removable labelling strip and fixed cable management bar

D UNIVERSAL adaptor (KADpm)

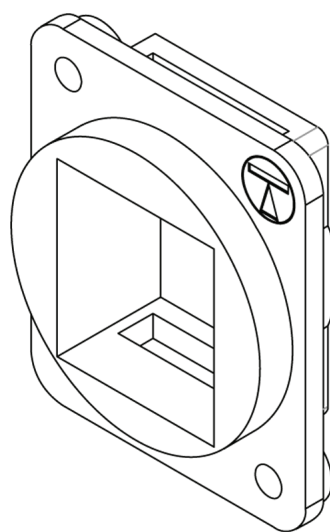
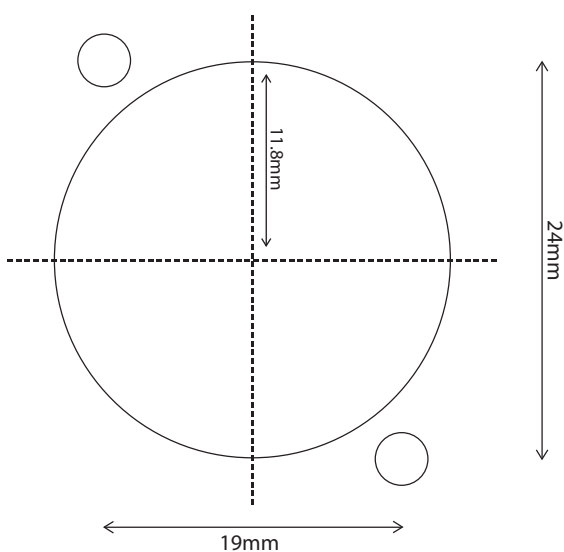


Front

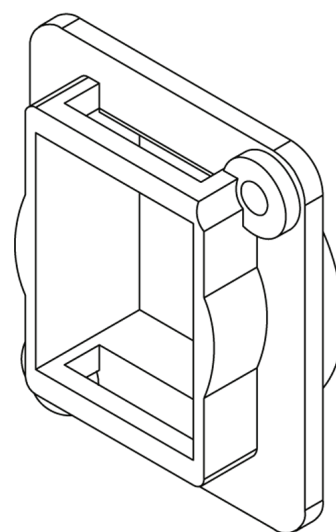


Back

Requirements for cut-out:



Front



Back