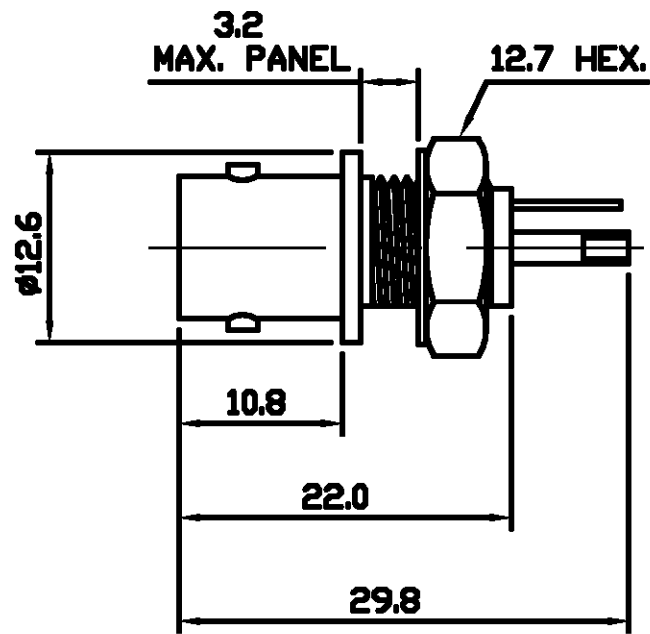


THIS DRAWING IS UNPUBLISHED. RELEASED FOR PUBLICATION 7-9-00 .
 © COPYRIGHT 2000 BY TYCO ELECTRONICS CORPORATION. ALL RIGHTS RESERVED.

| LOC | DIST | REVISIONS | | | | | |
|-----|------|-----------|-----|------------------|---------|-----|------|
| | | P | LTR | DESCRIPTION | DATE | DWN | APVD |
| E | B | B | | EB00 - 0304 - 01 | 25-9-01 | RG | FWK |



MOUNTING HOLE

△ SUPPLIED SEMI-ASSEMBLED (PACK CONTAINS LOOSE PIECES)
 VIEW SHOWS ASSEMBLED CONNECTOR .

ALL DIMENSIONS ARE NOMINAL. FOR REFERENCE ONLY.

| | |
|--------------------------|--------|
| DIE SET PART NUMBER | N/A |
| HANDTOOL PART NUMBER | N/A |
| FOR USE ON CABLES | N/A |
| CONNECTOR PLATING DETAIL | NICKEL |
| CONTACT PLATING DETAIL | GOLD |
| DIELECTRIC MATERIAL | ABS |
| GASKET MATERIAL | N/A |

THIS DRAWING IS A CONTROLLED DOCUMENT.

| DIMENSIONS: | TOLERANCES UNLESS OTHERWISE SPECIFIED: |
|-------------|--|
| MM | |
| | 0 PLC ± |
| | 1 PLC ± |
| | 2 PLC ± |
| | 3 PLC ± - |
| | 4 PLC ± - |
| | ANGLES ± |
| MATERIAL | FINISH |
| - | - |

| | | |
|------------------|-----------|-----------|
| DWN | R.SMITH | 07-SEP-00 |
| CHK | R.GOODALL | 07-SEP-00 |
| APVD | R.GOODALL | 07-SEP-00 |
| PRODUCT SPEC | 108-3435 | |
| APPLICATION SPEC | - | |
| WEIGHT | - | |
| CUSTOMER DRAWING | | |

| | | |
|--|-------------|-------------|
| BAG | SINGLE ITEM | 1-1337452-0 |
| PACK TYPE | DESCRIPTION | PART NUMBER |
| Tyco Electronics Corporation Stanmore, Middlesex, HA7 4RS | | |
| NAME | | |
| BNC INSULATED BULKHEAD SOCKET 50 Ohm | | |
| SIZE | CAGE CODE | DRAWING NO |
| A3 | 00779 | C-1337452 |
| RESTRICTED TO | | - |
| SCALE | SHEET | REV |
| NTS | 1 OF 1 | B |