

320857 ✓ ACTIVE

SOLISTRAND

TE Internal #: 320857

Ring Terminals & Spade Terminals, Spade Tongue, 16 – 14AWG

Wire Size, 1.04 – 2.62mm<sup>2</sup> Wire Size, 2050 – 5180CMA Wire Size, #10

[View on TE.com >](#)



Terminals & Splices > Ring Terminals & Spade Terminals



Terminal & Splice Type: **Spade Tongue**

Wire Size: **2050 – 5180 CMA**

Ring & Spade Stud Size: **#10**

### Features

#### Product Type Features

Shape Description	SPADE-027
Ring & Spade Stud Size	#10
Ring & Spade Barrel Type	Closed Barrel
Sealable	No
Insulated	No
Ring & Spade Wire/Cable Type	Regular Wire
Support Style	Non - Insulation Support

#### Configuration Features

Terminal Angle	Straight
----------------	----------

#### Body Features

Weight per Piece	.738 g
Ring & Spade Plating Material	Copper, Tin

#### Contact Features

Terminal & Splice Type	Spade Tongue
Ring & Spade Terminal Orientation	Offset

#### Mechanical Attachment

Wire Insulation Support	Without
-------------------------	---------

#### Dimensions

Wire Size	2050 – 5180 CMA
Stud Diameter	5 mm[.197 in]



Tongue Thickness	.79 mm[.031 in]
Ring & Spade Overall Length	13.06 mm[.513 in]
Barrel Inside Diameter	2.16 mm[.085 in]

### Usage Conditions

Insulation Requirement	Uninsulated
Operating Temperature Range	170 °C[338 °F]

### Operation/Application

Heavy Duty	No
------------	----

### Industry Standards

Government Qualified	No
----------------------	----

### Packaging Features

Packaging Quantity	1000
Ring & Spade Packaging Method	Loose Piece

## Product Compliance

[For compliance documentation, visit the product page on TE.com>](#)

EU RoHS Directive 2011/65/EU	Compliant
EU ELV Directive 2000/53/EC	Compliant
China RoHS 2 Directive MIIT Order No 32, 2016	No Restricted Materials Above Threshold
EU REACH Regulation (EC) No. 1907/2006	Current ECHA Candidate List: JAN 2021 (211) Candidate List Declared Against: JAN 2021 (211) Does not contain REACH SVHC
Halogen Content	Not Yet Reviewed for halogen content
Solder Process Capability	Not applicable for solder process capability

#### Product Compliance Disclaimer

This information is provided based on reasonable inquiry of our suppliers and represents our current actual knowledge based on the information they provided. This information is subject to change. The part numbers that TE has identified as EU RoHS compliant have a maximum concentration of 0.1% by weight in homogenous materials for lead, hexavalent chromium, mercury, PBB, PBDE, DBP, BBP, DEHP, DIBP, and 0.01% for cadmium, or qualify for an exemption to these limits as defined in the Annexes of Directive 2011/65/EU (RoHS2). Finished electrical and electronic equipment products will be CE marked as required by Directive 2011/65/EU. Components may not be CE marked. Additionally, the part numbers that TE has identified as EU ELV compliant have a maximum concentration of 0.1% by weight in homogenous materials for lead, hexavalent chromium, and mercury, and 0.01% for cadmium, or qualify for an exemption to these limits as defined in the Annexes of Directive 2000/53/EC (ELV). Regarding the REACH Regulation, the information TE provides on SVHC in articles for this part number is based on the latest European Chemicals Agency (ECHA) 'Guidance on requirements for substances in articles' posted at this URL: <https://echa.europa.eu/guidance-documents/guidance-on-reach>

## Compatible Parts



REPRESENTATION ONLY

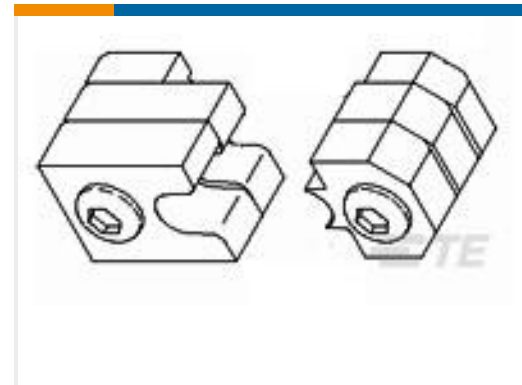
TE Part # 49935  
DAHT SOLIS 22-10 ASSY



TE Part # 8-320857-1  
SOLIS SPD FLG 16-14, 10



TE Part # 539662-2  
MATR SOLISTR 0,3-6,



TE Part # 47813  
DIES SOLIS 16-14 DIE SET



TE Part # 169400  
CERTI-LOK

## Customers Also Bought



TE Part #2-1879461-3  
Thick Film Resistor: Current Sense



TE Part #1-1623724-3  
Wirewound Resistor: Axial Mount, 17 Watt



TE Part #1445336-2  
LOOSE PC CONTACT 15 AU PLATED



TE Part #131445  
PG, WIRE TAB, 12-10



TE Part #1-32418-2  
BUDG SPADE 22-16COMM22-18MIL8



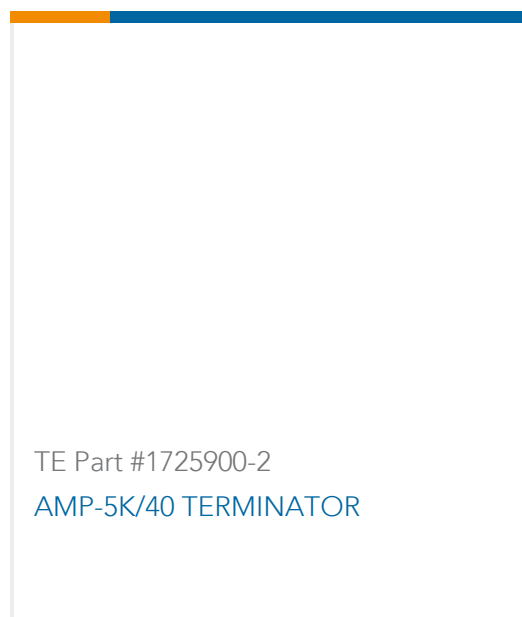
TE Part #1-1625893-3  
5W SM M/OX 2% 22R



TE Part #1-2176391-0  
RQ 1206 15K4 0.1% 10PPM 5K RL



TE Part #NB12982001  
RNF-100-1/2-WH-STK



## Documents

### Product Drawings

[TERMINAL,SOLIS SPD FLG 16-14](#)

English

### CAD Files

[3D PDF](#)

3D

Customer View Model

[ENG\\_CVM\\_CVM\\_320857\\_K.2d\\_dxf.zip](#)

English

Customer View Model

[ENG\\_CVM\\_CVM\\_320857\\_K.3d\\_igs.zip](#)

English

Customer View Model

[ENG\\_CVM\\_CVM\\_320857\\_K.3d\\_stp.zip](#)

English

By downloading the CAD file I accept and agree to the [Terms and Conditions](#) of use.

### Datasheets & Catalog Pages

[SOLISTRAND - QRG](#)

English

### Product Environmental Compliance

[TE Material Declaration](#)

English

### Agency Approvals

[UL Report](#)

English

[UL Report](#)

English