

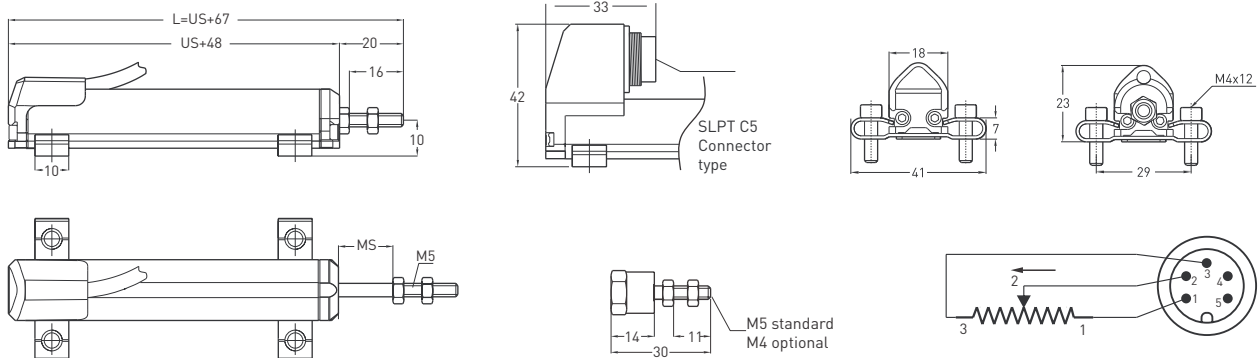
- Measuring range 10 - 400
- <0.01 mm repeatability
- Infinite resolution
- 2 kOhm: 10 - 25 mm
- 5 kOhm: 50 - 400 mm



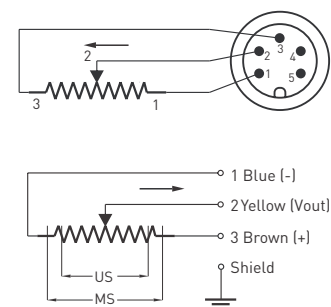
### Technical Specifications

Measurement stroke	10 - 400 mm
Linearity	±%0,05 (>200 mm), ±%0,1 (130 - 200 mm), ±%0,2 (75 - 130 mm), ±%0,5 (<75 mm)
Repeatability	< 0.01 mm
Resolution	Infinite
Resistance	2 kOhm : 10 - 25 mm 5 kOhm : 50 - 400 mm
Resistance tolerance	± %20
Load resistance	100 kOhm min.
Recommended wiper current	<1 µA
Permissible applied voltage	28 VDC max.
Electrical connections	Connector or 1 m cable output
Displacement speed	< 5 m/s
Vibration	EN 60068-2-6:2013 5-2000 Hz 200 m/s² (20g) 2h 30min each axis (x,y,z)
Shock	EN 60068-2-2:2007 500 m/s² (50g) 11ms. (x,y,z axis)
Mechanical life	100 million movement
Case dimensions	Ø18 mm
Case material	Anodized aluminium
Rod material	Stainless steel
Rod diameter	Ø5 mm
Mechanical fixing	Variable brackets
Protection level	IP 65 - EN 60529
Operating temperature	-20°C ... +80°C
Storage temperature	-30°C ... +90°C

### Mechanical Specifications



SLPT (mm)	10	25	50	75	100	125	150	175	200	250	300	350	400
US (Usefull stroke)	10	25	50	75	100	125	150	175	200	250	300	350	400
MS (Mechanical stroke)	13	28	53	78	103	128	153	178	203	253	303	353	403
L (Total Length)	78	93	118	143	168	193	218	243	268	318	368	418	468



### Ordering Procedure

Model	Measurement stroke (mm)	Linearity (%)	Resistance (kOhm)	Connector / Cable
SLPT	175	D	5K	1M
SLPT	10 - 400 mm	A : ±%0,5(<75 mm), B : ±%0,2 (75 - 130 mm), C : ±%0,1 (130 - 200 mm), D : ±%0,05 (>200 mm)	2K : 2 kOhm (<75 mm) 5K : 5 kOhm (75-400mm)	1M : 1 meter cable(standard) 1M5 : 1,5 meter cable 2M : 2 meter cable C5 : Connector

Above given technical data are only for information purpose. OPKON has right to change product specifications without notice.