



Shield terminal, for direct shield attachment on conductive mounting plates, diameter 3-14 mm

terminal contact spacing	17 mm	
<b>Connections</b>		
connectable cable cross-section		
• minimum	3 mm	
• maximum	14 mm	
type of electrical connection	screw-type terminals	
<b>Mechanical Design</b>		
height	57.8 mm	
fastening method	direct assembly	
General Product Approval	Declaration of Conformity	other

[Confirmation](#)



EG-Konf.

[Confirmation](#)

[Miscellaneous](#)

**Further information**

Siemens has decided to exit the Russian market (see here).  
<https://press.siemens.com/global/en/pressrelease/siemens-wind-down-russian-business>

Siemens is working on the renewal of the current EAC certificates.  
 Please contact your local Siemens office on the status of validity of the EAC certification if you intend to import or offer to supply these products to an EAC relevant market (other than the sanctioned EAEU member states Russia or Belarus).

Information on the packaging  
<https://support.industry.siemens.com/cs/ww/en/view/109813875>

Information- and Downloadcenter (Catalogs, Brochures,...)  
<http://www.siemens.com/lowvoltage/catalogs>

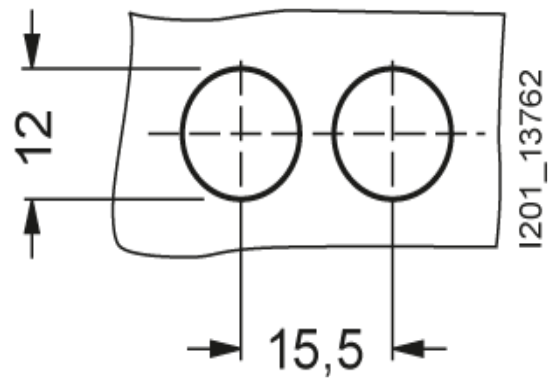
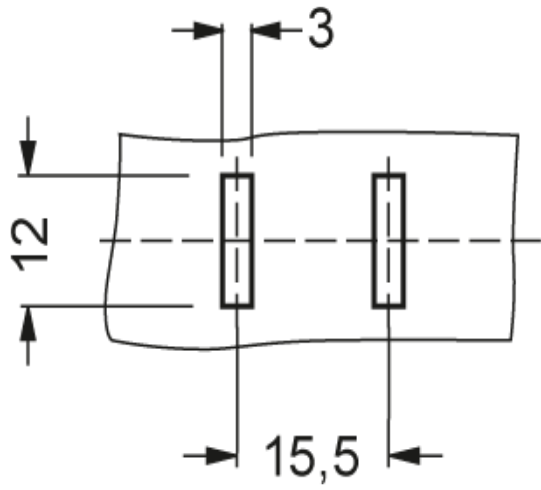
Industry Mall (Online ordering system)  
<https://mall.industry.siemens.com/mall/en/en/Catalog/product?mlfb=8WH9130-0BA00>

Service&Support (Manuals, Certificates, Characteristics, FAQs,...)  
<https://support.industry.siemens.com/cs/ww/en/ps/8WH9130-0BA00>

Image database (product images, 2D dimension drawings, 3D models, device circuit diagrams, ...)  
[http://www.automation.siemens.com/bilddb/cax\\_en.aspx?mlfb=8WH9130-0BA00](http://www.automation.siemens.com/bilddb/cax_en.aspx?mlfb=8WH9130-0BA00)

CAX-Online-Generator  
<http://www.siemens.com/cax>

Tender specifications  
<http://www.siemens.com/specifications>



last modified:

12/19/2020 