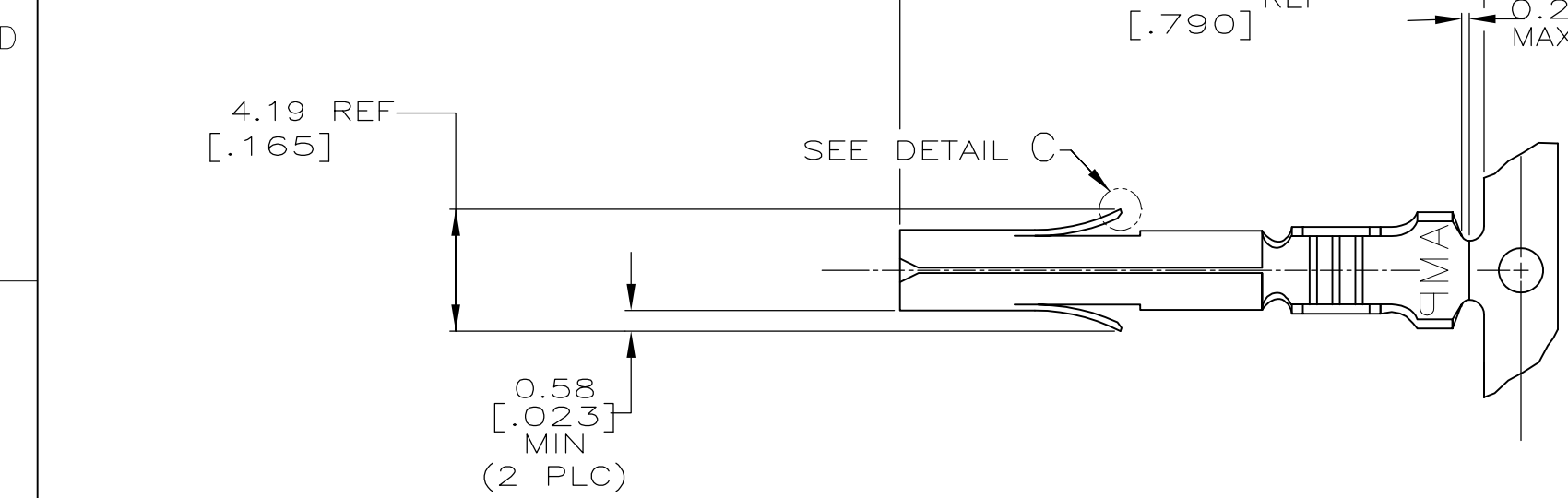
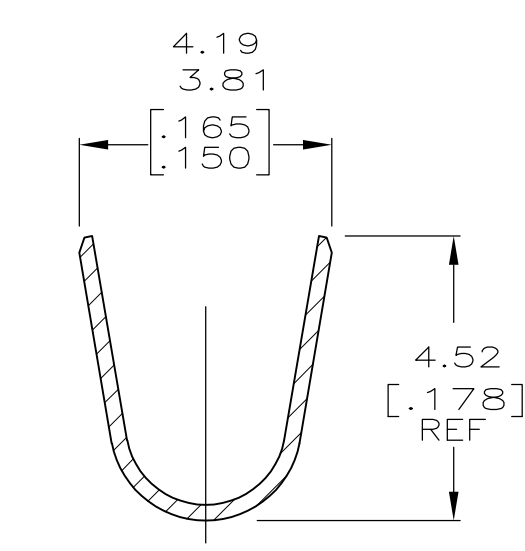
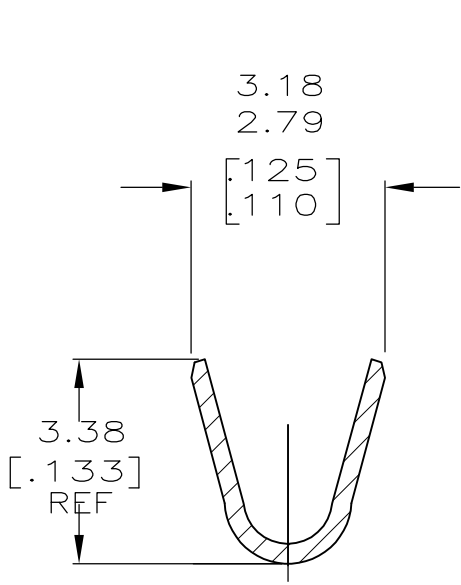
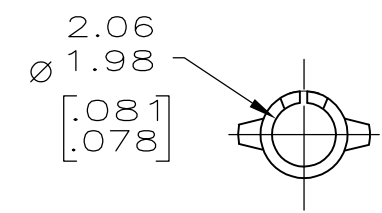
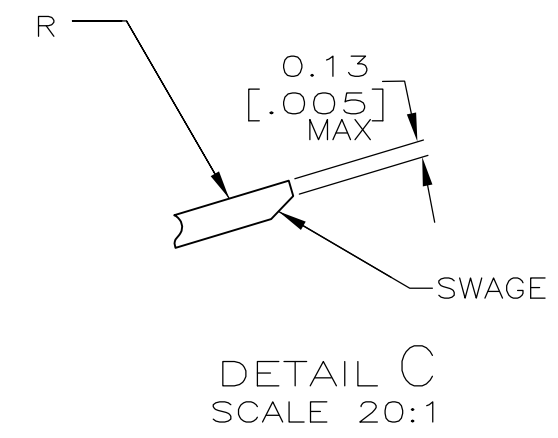
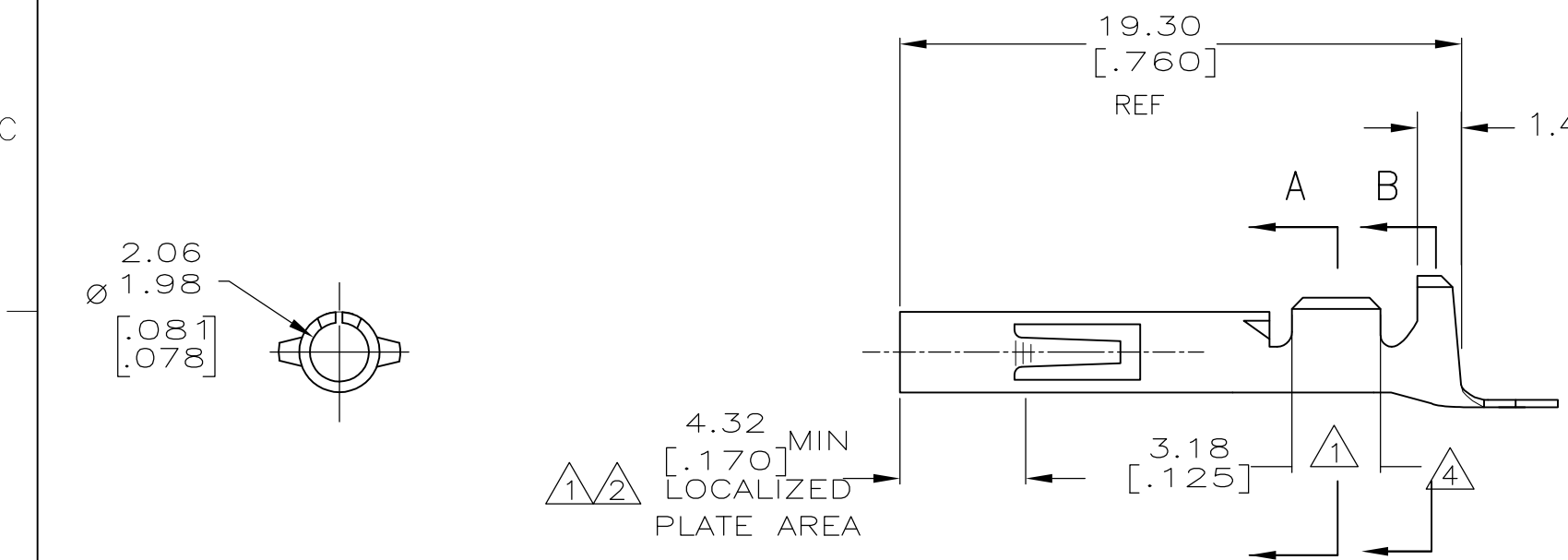


THIS DRAWING IS UNPUBLISHED. RELEASED FOR PUBLICATION
 © COPYRIGHT - By - ALL RIGHTS RESERVED.

LOC	DIST	REVISIONS					
CM	00	P	LTR	DESCRIPTION	DATE	DWN	APVD
			AD1	REVISED PER ECR-13-012642	08AUG13	JR	TM



- 1 0.00076[.000030] THK GOLD OVER NICKEL ON INSIDE OF RECEPTACLE AND WIRE BARREL; REMAINDER OF CONTACT IS NICKEL PLATED.
- 2 0.00076[.000030] THK GOLD ON INSIDE OF RECEPTACLE; REMAINDER OF CONTACT IS NICKEL PLATED.
- 3 DIMENSIONS IN BRACKETS ARE IN INCHES.
- 4 PRELIMINARY, NOT FOR PRODUCTION.
- 5 OBSOLETE PARTS: OBSOLETE CIS STREAMLINING PER D.RENAUD/D.SINISIA
- 6 INSULATION RANGE: 1.52-3.30 [.060-.130] DIA.



4	1	2	3	4	5
350550-7	MINI	GOLD	0.30 [.012] BRASS	350536-7	4
350550-6	MINI	GOLD	0.30 [.012] PH BZ	350536-6	
350550-3	MINI	TIN	0.30 [.012] PH BZ	350536-3	
350550-2	MINI	GOLD	0.30 [.012] BRASS	350536-2	
350550-1	MINI	TIN	0.30 [.012] BRASS	350536-1	
LOOSE PIECE (REF)	APPLICATOR TYPE	FINISH	MATERIAL	PART NUMBER	

THIS DRAWING IS A CONTROLLED DOCUMENT.

DWN K. WHITAKER 07NOV2003
 CHK S. RIDGILL 07-NOV-03
 APVD S. RIDGILL 07-NOV-03

STE TE Connectivity

SOCKET, UNIVERSAL MATE-N-LOK™

PRODUCT SPEC
 APPLICATION SPEC
 WEIGHT -

SIZE A3 CAGE CODE 00779 DRAWING NO C-350536 RESTRICTED TO -

CUSTOMER DRAWING SCALE 4:1 SHEET 1 OF 1 REV AD1