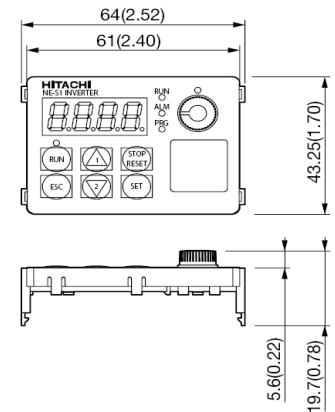


## NES1-OP - Operator Panel for HITACHI Inverter Serie NES1



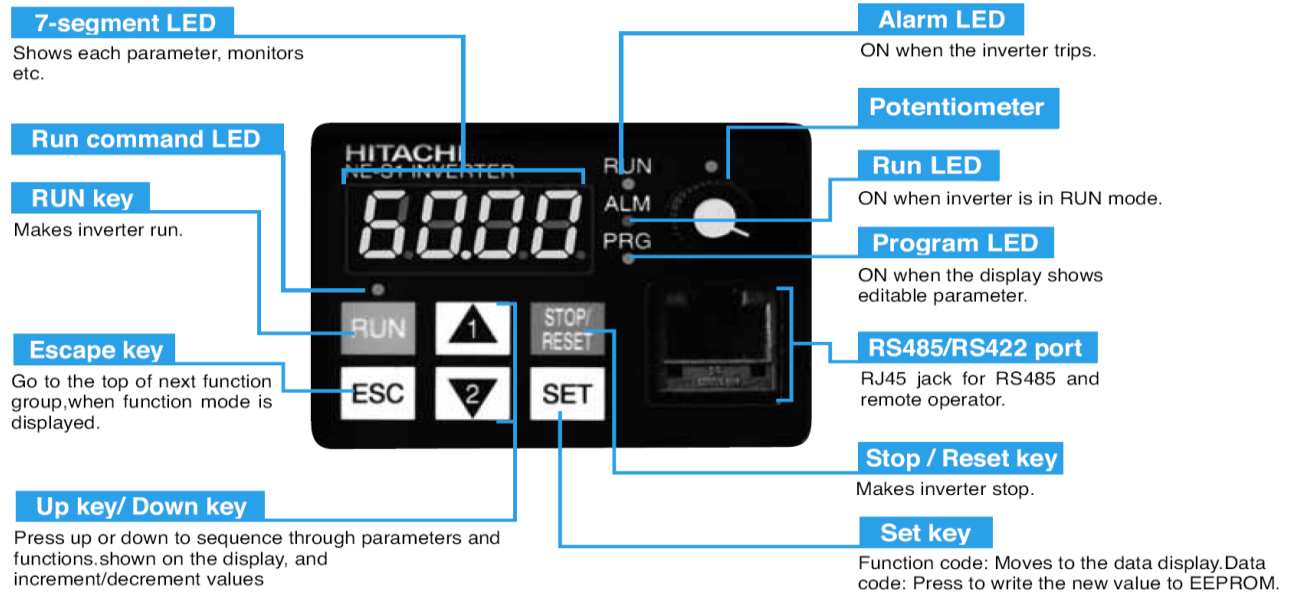
Sampel: NES1-004HBE with NES1-OP

<NES1-OP>

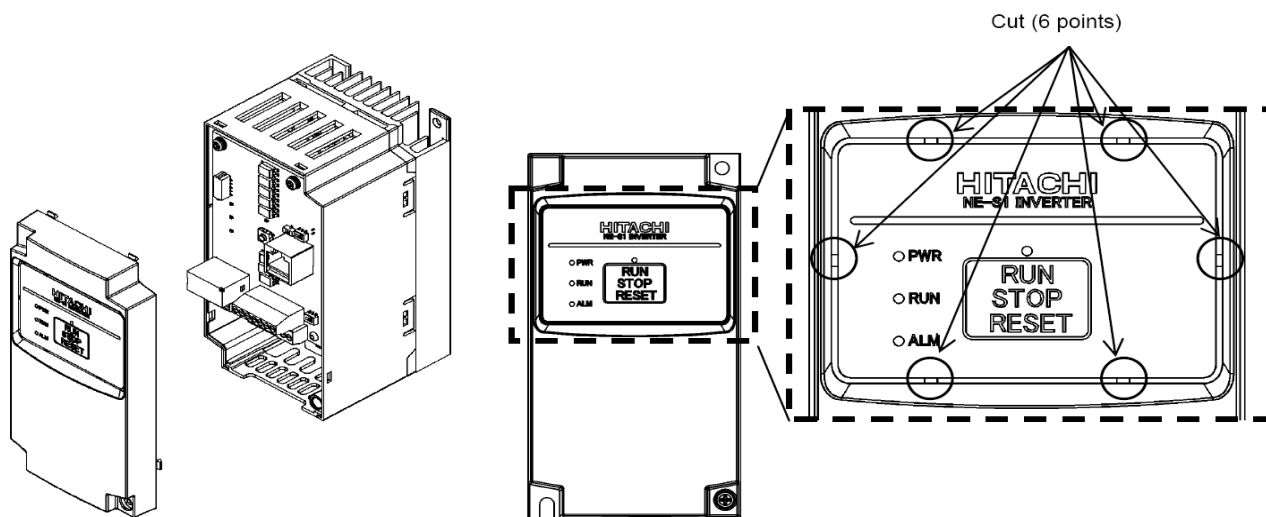


\*Built-in keypad for NES1, so, this is not expandable with remote cable.

### <Option Operator Panel>

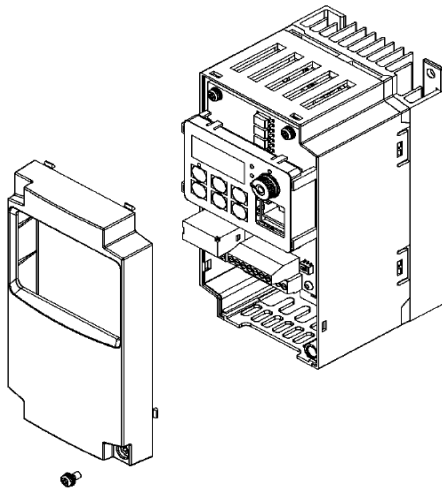


### How to attach the Exclusive operator (NES1-OP)



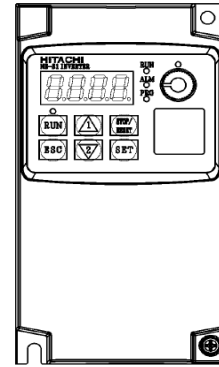
1) Remove the front cover from main body

2) Cut the standard operator panel by in thin-blade-nipper and take it off.



3) The connector of the exclusive operator (NES1-OP) connect to the connector on the circuit board. And attach it to put the circuit board.

4) Attach the front cover.



5) Figure of installation (NES1-OP)

**Kontakt: HITACHI Drives & Automation GmbH**

Am Seestern 18

40547 Düsseldorf

Tel. +49 211 730 621 60 FAX +49 211 730 621 89

[www.hitachi-da.com](http://www.hitachi-da.com)