



## SPECIFICATIONS

DATE: 2000.12.10

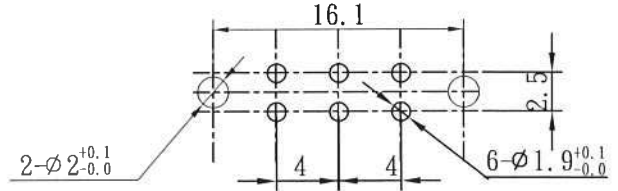
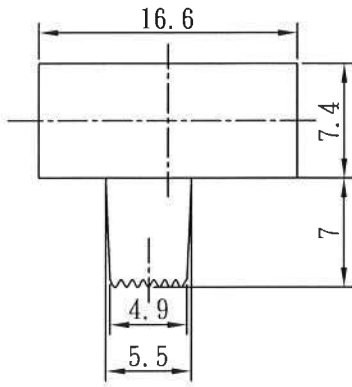
製品名 TYPE OF SWITCH	SLIDE SWITCH SCC-22BB-07-3022	圖面號碼 DRAWING NO.	S0302200	整理番號 FILE NO.	03022
-----------------------	----------------------------------	---------------------	----------	------------------	-------

1. 定 格: RATING: AC/DC. 30 V. 0.3 A.
2. 構 造: CONSTRUCTION
- 2.1 型態及長寬度均照另附圖面之規定  
SHAPE AND DIMENSIONS SUBJECT TO ATTACHED CHART REGULATION
- 2.2 外觀: 各部分之完成程度良好, 並無生銹. 裂損. 電鍍不良等。  
APPEARANCE: EVERY PART SHOULD BE FINISHED NOT TO EXIST RUST, FLAW, CRACK AND BAD PLATING.
3. 機械的性能 MECHANICAL STRUCTURE
- 3.1 迴 轉 力      Kg cm 作動力: 300±200g  
ROTATION TORQUE:      Kg cm OPERATION: 300±200g
- 3.2 阻 止 力 5 Kg 於 1 分/~~秒~~  
STOPPER STRENGTH: 5 Kg FOR 1 MINUTE/~~second~~
- 3.3 端子強度: 於端子先端各方向處, 加400之力1分鐘, 而端子並無搖動. 脫落. 端子板破損等現象(一支端子一次)  
STAKING OF TERMINALS: WHEN 400g/gs IS/ARE WEIGHTED ON TOP OF TERMINAL IN EVERY DIRECTION FOR ONE(1)MINUTE, LOOSE STAKING OF TERMINAL AND DAMAGE ON STATOR BOARD SHOULD NOT EXIST.
4. 電 氣 的 性 能 ELECTRICAL STRUCTURE
- 4.1 接觸抵抗: DC. 5V. 1A. 電壓降下法測定. 或以1KHZ±200HZ 2mV. 測定 20 mΩ以下  
CONTACT RESISTANCE: LESS THAN 20 mΩ ON DC. 5V. 1A. MEASURED BY VOLTAGE DECREASING METHOD OR MEASURED BY 1KHZ±200HZ LESS THAN 2mV.
- 4.2 絕緣抵抗: DC. 500 V. 100 MΩ 以上  
INSULATION RESISTANCE: MORE THAN. 100 MΩ ON DC. 500 V. MEASURED BY INSULATION TESTER
- 4.3 耐 電 壓: AC. 500 V. (50-60HZ.) 1分鐘並無異常發生  
WITHSTAND VOLTAGE: AC. 500 V. (50-60HZ.) FOR 1 MIN.
5. 耐 濕 性 HUMIDITY TEST  
放置溫度40±2°C, 相對濕度90~95%內 48 小時后除去水滴, 而於 30 分鐘內, 測定時, 絕緣抵抗為 10 MΩ 以上。  
INSULATION RESISTANCE IS 10 MΩ OVER MEASURED AFTER 30 MINUTE(S) AFTER REMAINING SWITCH FOR 48 HOUR(S) AT THE CONDITION OF TEMPERATURE 40±2 °C AND HUMIDITY 90~95%.
6. 使用溫度範圍 TEMPERATURE RANGE: -20C ~ +60 C
7. 壽命試驗 LIFE TEST
- 7.1 試驗機速度 SPEED OF TESTING MACHINE: 15~20次/min
- 7.2 負 荷 ~~有~~ 無 LOAD, NO LOAD.
- 7.3 往復動作 SWITCHING: 10,000 CYCLES.
- 7.4 接觸抵抗 40 mΩ 以下, CONTACT RESISTANCE: LESS THAN 40 mΩ
- 7.5 迴轉力之變化 CHANGE OF ROTATION TORQUE:      Kg cm.
- 7.6 作動力之變化 CHANGE OF SWITCHING TENSION: 100 g.

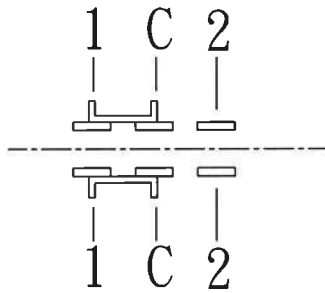
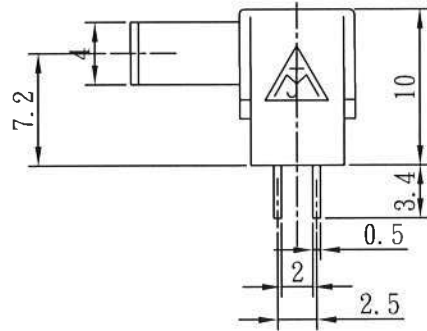
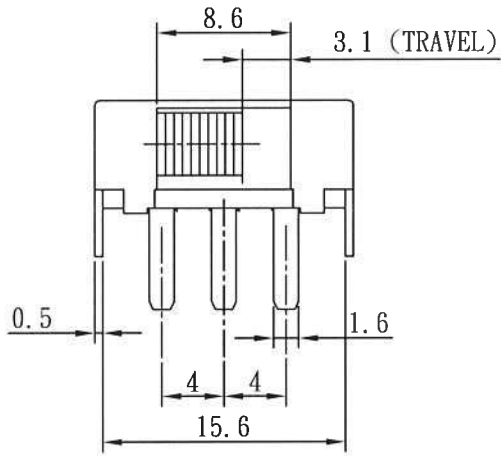
NOTICE: SUBJECT TO ALTERATIONS ON APPEARANCE AND TEPMS TO BE ALL WED OITHOUT NOTICE DUE TO OUR QUALITY IMPROVEMENT:



尺寸公差	容許公差區分					
	A	B	C	D	E	F
1以下	±0.01	±0.025	±0.05	±0.1	±0.25	±0.5
1-2以下	±0.013	±0.03	±0.06	±0.13	±0.3	±0.6
2-4以下	±0.016	±0.04	±0.06	±0.16	±0.4	±0.8
4-8以下	±0.02	±0.05	±0.1	±0.2	±0.5	±1
8-16以下	±0.025	±0.06	±0.13	±0.25	±0.6	±1.25
16-31.5以下	±0.03	±0.08	±0.16	±0.3	±0.8	±1.6
31.5-50以下	±0.04	±0.1	±0.2	±0.4	±1	±2
50-125以下	±0.05	±0.13	±0.25	±0.5	±1.25	±2.5
125-250以下	±0.06	±0.16	±0.3	±0.6	±1.6	±3.0



**P. C. B. LAYOUT**



- 注: 1. 2poles 2positions  
 2. CHANGE OVER TIMING  
 NON SHORTING  
 3. 外殼鍍鎳

製品名	SCC-22BB-07-3022	投影法	單位	比例	備注
		三角法	mm	2/1	容許公差:D
圖名	組立圖	承認	驗認	制圖	制圖日期
					2001.05.07
圖號	S0302200				