

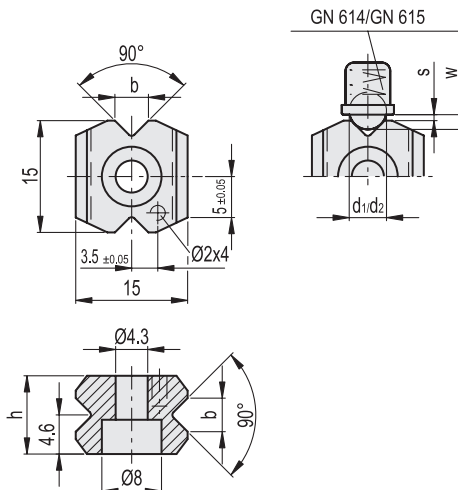
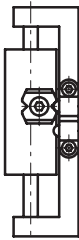
MATERIAL

Sintered and case-hardened black-oxide steel.

FEATURES AND APPLICATIONS

GN 250 indent blocks are used together with ball spring plungers GN 614 (see page 840), GN 615 (see page 827) and GN 615.2 (see page 832) for detenting or positioning sliding parts, flaps or similar applications.

Application example



Code	Description	b±0.1	h	dim (GN 614)	dim (GN 615)	d1 (GN 614)	d2 (GN 615)	w (GN 614)	w (GN 615)	s min (GN 614)	s min (GN 615)	⚖
GN.34221	GN 250-8.5	3.4	8.5	6	M8	5	4.5	1.6	1.5	0.9	0.8	10
GN.34222	GN 250-10.5	4.5	10.5	8	M10	6.5	6	1.9	2	1	1	11

- 1
- 2
- 3
- 4
- 5
- 6
- 7
- 8
- 9
- 10
- 11
- 12
- 13
- 14
- 15
- 16
- 17
- 18

Indexing and positioning elements