

- 1
- 2
- 3
- 4
- 5
- 6
- 7
- 8
- 9
- 10
- 11
- 12
- 13
- 14
- 15
- 16
- 17
- 18

STANDARD EXECUTIONS

- LM-AC:

zinc-plated steel base and ball joint with threaded blind hole.

zinc-plated steel base and ball joint with threaded stem and nut.

- LM-SST-AC:

AISI 303 stainless steel base and ball joint with threaded blind hole.

AISI 303 stainless steel base and ball joint with threaded stem.

AISI 304 stainless steel nut.

BEARING PROTECTION

Acetal resin based (POM) technopolymer, white colour.

FEATURES

The resistance of the levelling element to a static load is obviously limited by the load capacity of the stem.

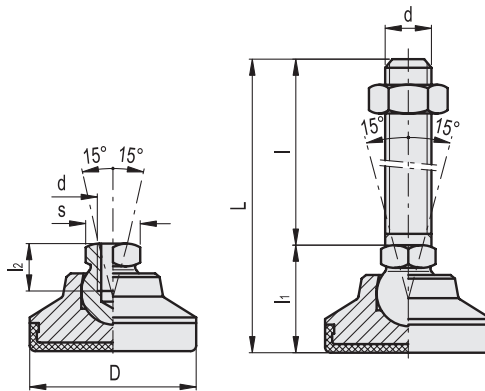
The static load values in the table below refer to the resistance to a load applied on the axis of the levelling foot.

Under common working conditions, side or angular loading increases the stress on the stem and reduces its load capacity.

To increase the applicable load you can use the ball joint with threaded hole by inserting a steel threaded bar of higher resistance class. We recommend to insert a pressure pad between the end of the bar and the bottom of the threaded hole to reduce loading on the threading.

SPECIAL EXECUTIONS ON REQUEST

Conductive material bearing protection.



LM.AC (d)

LM-SST-AC (d)



Code	Description	D	d	l1	l2	s	Max. limit static load [N]	⚖️	Code	Description	Max. limit static load [N]	⚖️
401120	LM.25 M6-AC	25	M6	20.5	9	12	7500	35	402120	LM.25-SST M6-AC	4000	35
401121	LM.25 M8-AC	25	M8	20.5	9	12	14000	31	402121	LM.25-SST M8-AC	7000	32
401130	LM.32 M8-AC	32	M8	24.5	9	12	14000	75	402130	LM.32-SST M8-AC	7000	75
401131	LM.32 M10-AC	32	M10	24.5	10.5	15	23000	65	402131	LM.32-SST M10-AC	11000	67
401140	LM.40 M10-AC	40	M10	27.5	10.5	15	23000	120	402140	LM.40-SST M10-AC	11000	120
401141	LM.40 M12-AC	40	M12	27.5	11.5	17	33000	110	402141	LM.40-SST M12-AC	16000	113
401150	LM.50 M10-AC	50	M10	29.5	10.5	15	23000	185	402150	LM.50-SST M10-AC	11000	185
401151	LM.50 M12-AC	50	M12	29.5	11.5	17	33000	175	402151	LM.50-SST M12-AC	16000	180
401160	LM.60 M12-AC	60	M12	37.5	11.5	17	33000	335	402160	LM.60-SST M12-AC	16000	335
401161	LM.60 M16-AC	60	M16	37.5	16	24	62000	320	402161	LM.60-SST M16-AC	30000	330

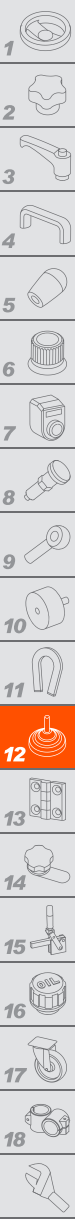
Levelling feet and supports

LM.AC (d - l)

LM-SST-AC (d - l)



Code	Description	D	d	L	l	l1	s	Max. limit static load [N]	⚖️	Code	Description	Max. limit static load [N]	⚖️
401617	LM.25 M6x40-AC	25	M6	60.5	40	20.5	12	7500	39	402611	LM.25-SST M6x40-AC	4000	39
401618	LM.25 M6x50-AC	25	M6	70.5	50	20.5	12	7500	41	402612	LM.25-SST M6x50-AC	4000	41
401619	LM.25 M6x63-AC	25	M6	83.5	63	20.5	12	7500	45	402613	LM.25-SST M6x63-AC	4000	45
401623	LM.25 M8x40-AC	25	M8	60.5	40	20.5	12	14000	65	402623	LM.25-SST M8x40-AC	7000	67
401624	LM.25 M8x50-AC	25	M8	70.5	50	20.5	12	14000	55	402624	LM.25-SST M8x50-AC	7000	55
401626	LM.25 M8x63-AC	25	M8	83.5	63	20.5	12	14000	69	402626	LM.25-SST M8x63-AC	7000	71
401620	LM.25 M10x50-AC	25	M10	70.5	50	20.5	12	23000	54	402616	LM.25-SST M10x50-AC	11000	54
401621	LM.25 M10x63-AC	25	M10	83.5	63	20.5	12	23000	64	402617	LM.25-SST M10x63-AC	11000	64
401622	LM.25 M10x80-AC	25	M10	100.5	80	20.5	12	23000	76	402618	LM.25-SST M10x80-AC	11000	76
401630	LM.32 M8x40-AC	32	M8	64.5	40	24.5	12	14000	52	402630	LM.32-SST M8x40-AC	7000	52
401631	LM.32 M8x50-AC	32	M8	74.5	50	24.5	12	14000	57	402631	LM.32-SST M8x50-AC	7000	57
401632	LM.32 M8x63-AC	32	M8	87.5	63	24.5	12	14000	67	402632	LM.32-SST M8x63-AC	7000	67
401633	LM.32 M10x50-AC	32	M10	74.5	50	24.5	15	23000	106	402633	LM.32-SST M10x50-AC	11000	109
401634	LM.32 M10x63-AC	32	M10	87.5	63	24.5	15	23000	172	402634	LM.32-SST M10x63-AC	11000	172
401636	LM.32 M10x80-AC	32	M10	104.5	80	24.5	15	23000	120	402636	LM.32-SST M10x80-AC	11000	124
401637	LM.32 M12x63-AC	32	M12	87.5	63	24.5	15	33000	166	402627	LM.32-SST M12x63-AC	16000	166
401638	LM.32 M12x80-AC	32	M12	104.5	80	24.5	15	33000	183	402628	LM.32-SST M12x80-AC	16000	183
401639	LM.32 M12x100-AC	32	M12	124.5	100	24.5	15	33000	201	402629	LM.32-SST M12x100-AC	16000	201
401647	LM.40 M8x50-AC	40	M8	77.5	50	27.5	15	14000	142	402637	LM.40-SST M8x50-AC	7000	142
401648	LM.40 M8x63-AC	40	M8	90.5	63	27.5	15	14000	150	402638	LM.40-SST M8x63-AC	7000	150
401649	LM.40 M8x80-AC	40	M8	107.5	80	27.5	15	14000	158	402639	LM.40-SST M8x80-AC	7000	158
401640	LM.40 M10x50-AC	40	M10	77.5	50	27.5	15	23000	157	402640	LM.40-SST M10x50-AC	11000	157
401641	LM.40 M10x63-AC	40	M10	90.5	63	27.5	15	23000	165	402641	LM.40-SST M10x63-AC	11000	165
401642	LM.40 M10x80-AC	40	M10	107.5	80	27.5	15	23000	172	402642	LM.40-SST M10x80-AC	11000	172
401643	LM.40 M12x63-AC	40	M12	90.5	63	27.5	17	33000	185	402643	LM.40-SST M12x63-AC	16000	185
401644	LM.40 M12x80-AC	40	M12	107.5	80	27.5	17	33000	190	402644	LM.40-SST M12x80-AC	16000	190
401646	LM.40 M12x100-AC	40	M12	127.5	100	27.5	17	33000	210	402646	LM.40-SST M12x100-AC	16000	214
401655	LM.50 M8x50-AC	50	M8	79.5	50	29.5	15	14000	172	402647	LM.50-SST M8x50-AC	7000	172
401657	LM.50 M8x63-AC	50	M8	92.5	63	29.5	15	14000	180	402648	LM.50-SST M8x63-AC	7000	180
401658	LM.50 M8x80-AC	50	M8	109.5	80	29.5	15	14000	187	402649	LM.50-SST M8x80-AC	7000	187
401650	LM.50 M10x50-AC	50	M10	79.5	50	29.5	15	23000	207	402650	LM.50-SST M10x50-AC	11000	207
401651	LM.50 M10x63-AC	50	M10	92.5	63	29.5	15	23000	215	402651	LM.50-SST M10x63-AC	11000	215
401652	LM.50 M10x80-AC	50	M10	109.5	80	29.5	15	23000	222	402652	LM.50-SST M10x80-AC	11000	222
401653	LM.50 M12x63-AC	50	M12	92.5	63	29.5	17	33000	260	402653	LM.50-SST M12x63-AC	16000	260
401654	LM.50 M12x80-AC	50	M12	109.5	80	29.5	17	33000	270	402654	LM.50-SST M12x80-AC	16000	270
401656	LM.50 M12x100-AC	50	M12	129.5	100	29.5	17	33000	285	402656	LM.50-SST M12x100-AC	16000	294
401691	LM.50 M16x63-AC	50	M16	92.5	63	29.5	17	40000	286	402657	LM.50-SST M16x63-AC	30000	286
401692	LM.50 M16x80-AC	50	M16	109.5	80	29.5	17	40000	298	402658	LM.50-SST M16x80-AC	30000	298
401659	LM.50 M16x100-AC	50	M16	129.5	100	29.5	17	40000	311	402659	LM.50-SST M16x100-AC	30000	311
401693	LM.60 M10x50-AC	60	M10	87.5	50	37.5	17	23000	367	402667	LM.60-SST M10x50-AC	11000	367
401694	LM.60 M10x63-AC	60	M10	100.5	63	37.5	17	23000	386	402668	LM.60-SST M10x63-AC	11000	386
401695	LM.60 M10x80-AC	60	M10	117.5	80	37.5	17	23000	405	402669	LM.60-SST M10x80-AC	11000	405
401660	LM.60 M12x63-AC	60	M12	100.5	63	37.5	17	33000	440	402660	LM.60-SST M12x63-AC	16000	440
401661	LM.60 M12x80-AC	60	M12	117.5	80	37.5	17	33000	465	402661	LM.60-SST M12x80-AC	16000	465
401662	LM.60 M12x100-AC	60	M12	137.5	100	37.5	17	33000	500	402662	LM.60-SST M12x100-AC	16000	500
401663	LM.60 M16x80-AC	60	M16	117.5	80	37.5	24	62000	490	402663	LM.60-SST M16x80-AC	30000	505
401665	LM.60 M16x100-AC	60	M16	137.5	100	37.5	24	62000	515	402665	LM.60-SST M16x100-AC	30000	515
401666	LM.60 M16x125-AC	60	M16	162.5	125	37.5	24	62000	550	402666	LM.60-SST M16x125-AC	30000	566
401671	LM.60 M20x98-AC	60	M20	135.5	98	37.5	24	95000	550	402671	LM.60-SST M20x98-AC	45000	550
401673	LM.60 M20x138-AC	60	M20	175.5	138	37.5	24	95000	580	402673	LM.60-SST M20x138-AC	45000	580
401676	LM.60 M20x158-AC	60	M20	195.5	158	37.5	24	95000	610	402676	LM.60-SST M20x158-AC	45000	610
401681	LM.60 M24x98-AC	60	M24	135.5	98	37.5	24	95000	610	402681	LM.60-SST M24x98-AC	45000	610
401683	LM.60 M24x138-AC	60	M24	135.5	138	37.5	24	95000	630	402683	LM.60-SST M24x138-AC	45000	630
401686	LM.60 M24x158-AC	60	M24	195.5	158	37.5	24	95000	650	402686	LM.60-SST M24x158-AC	45000	650



Levelling feet and supports