

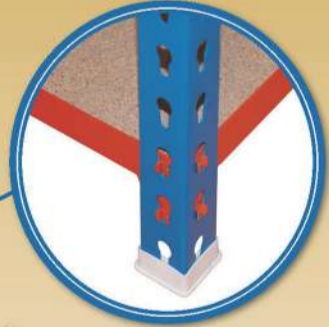
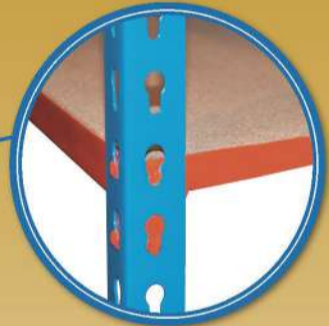
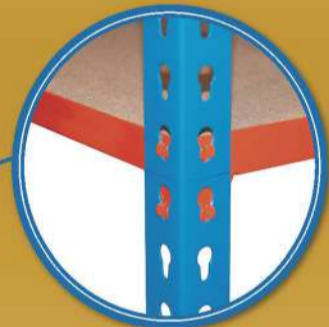
200 x 110 x 50 cm* 78.7" x 43.3" x 19.7"

MADERCLICK SUPERPLUS 5/500

5 Años Garantía
Years Guarantee
Jahre Garantie
Ans Garantie
Anos de Garantía
SIMONRACK



**1000 kg
(2200 lb)
Total**



*MIDAS EN USO: 1979 x 1111 x 510 mm
USED MEASUREMENTS: 77.91" x 43.74" x 20.08"



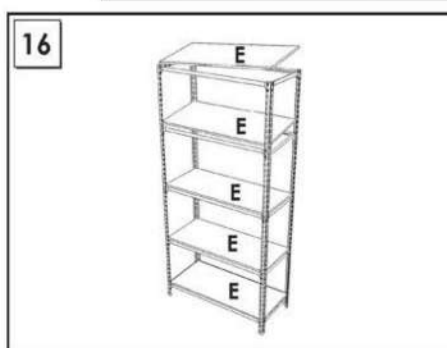
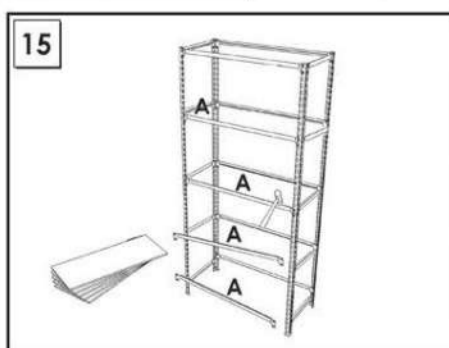
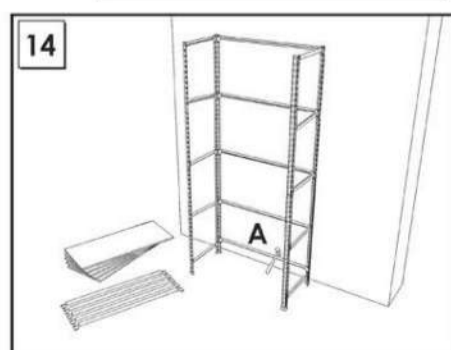
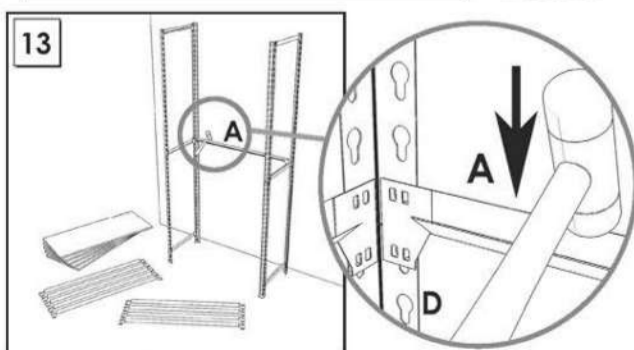
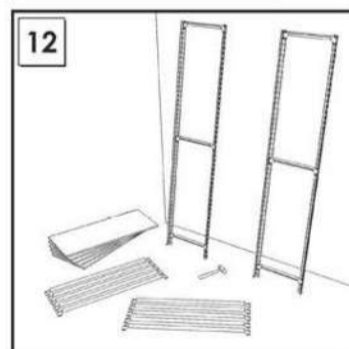
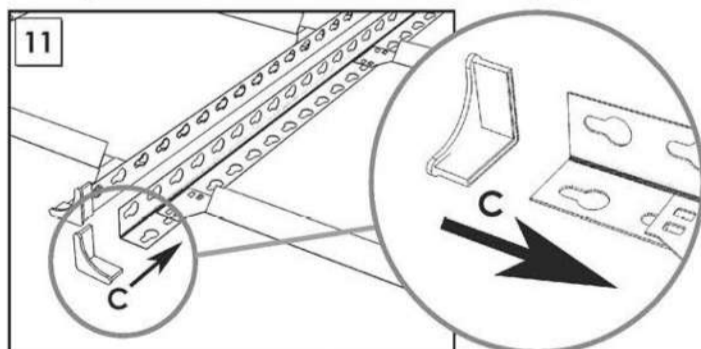
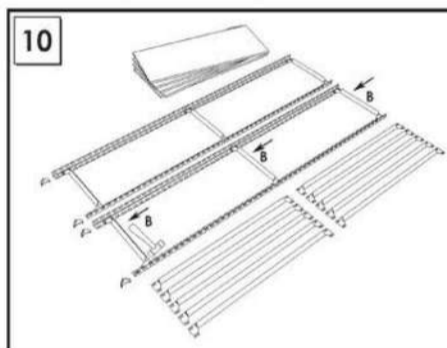
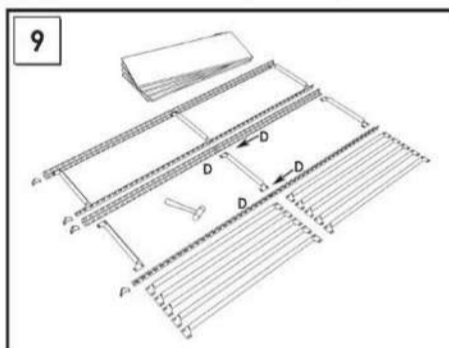
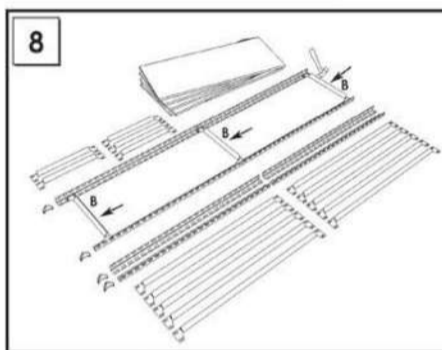
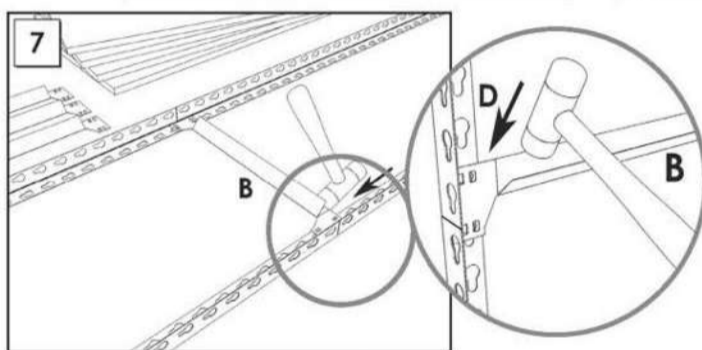
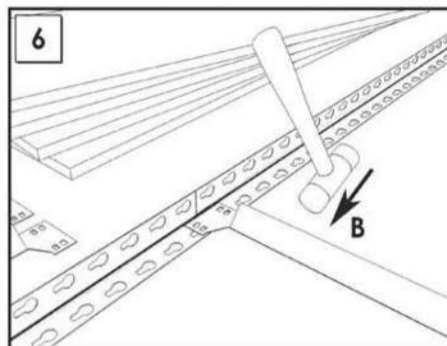
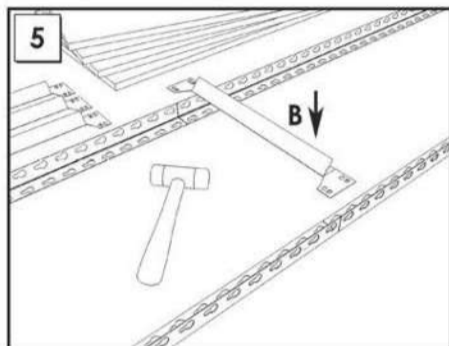
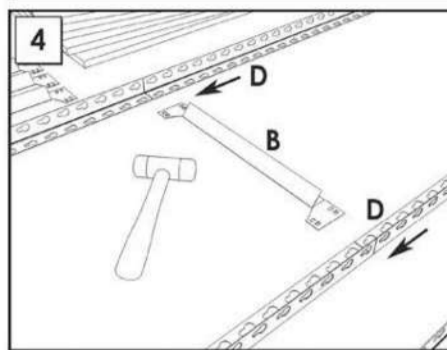
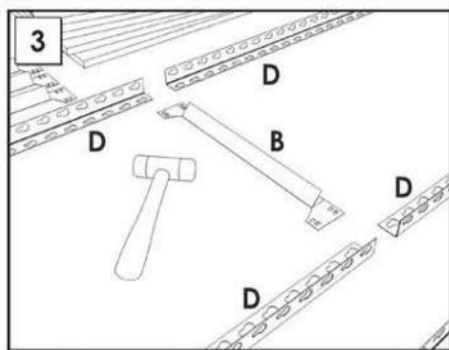
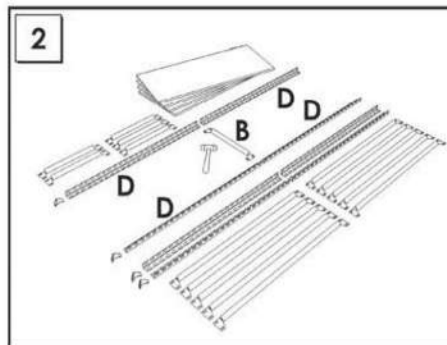
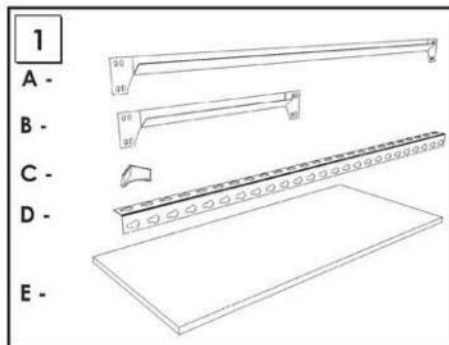
ESTANTERIAS SIMON S.L. B.50.556.463
PG. ALFAMEN C/ POLIGONO C, N°3
ALFAMEN (ZARAGOZA)



www.simonrack.com



INSTRUCTIONS



On-line instructions: www.instructionsrack.com/maderclick

SIMONCLASSIC

BOLTS SYSTEM

Up to: **150 Kg (331 lb)**
Kg/Shelf (Uniformly Distributed Load)

SIMONCLICK

NO BOLTS SYSTEM

Up to: **400 Kg (882 lb)**
Kg/Shelf (Uniformly Distributed Load)

SIMONOFFICE

NO BOLTS SYSTEM

Up to: **275 Kg (606 lb)**
Kg/Shelf (Uniformly Distributed Load)

SIMONTALLER

NO BOLTS SYSTEM

Up to: **700 Kg (1543 lb)**
Kg/Shelf (Uniformly Distributed Load)

BANCOS DE TRABAJO WORK BENCHES

Up to: **800 Kg (1764 lb)**
Kg/Shelf (Uniformly Distributed Load)

SIMONHOME

Up to: **150 Kg (331 lb)**
Kg/Shelf (Uniformly Distributed Load)

TAGUILLAS LOCKER



SIMONTITÁN

SIMONINOX

NO BOLTS SYSTEM

Up to: **900 Kg (1994 lb)**
Kg/Shelf (Uniformly Distributed Load)

SIMONPALET

SIMONLEVER

Up to: **4500 Kg (9921 lb)**
Kg/Shelf (Uniformly Distributed Load)

ALTILLOS Y PASILLOS ELEVADOS PLATFORMS AND MEZZANINES

