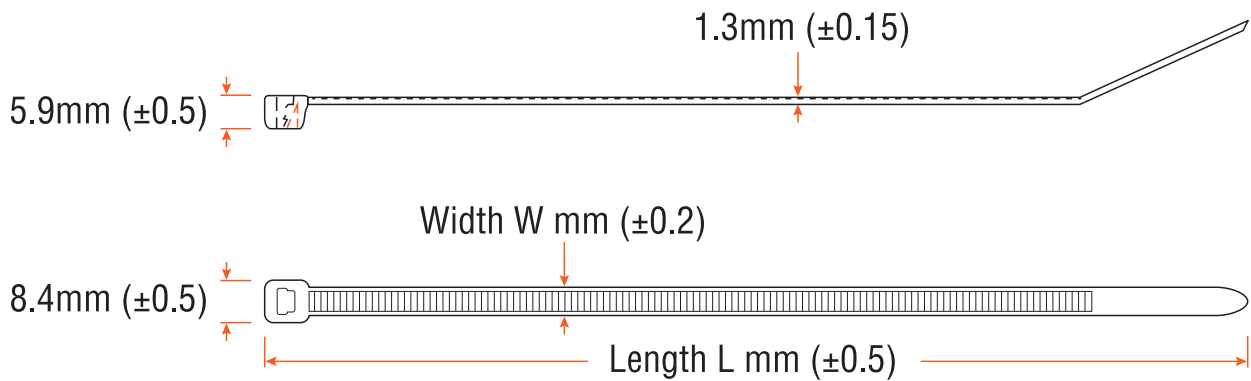
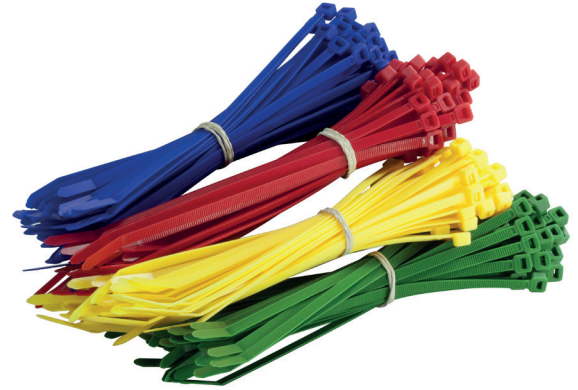
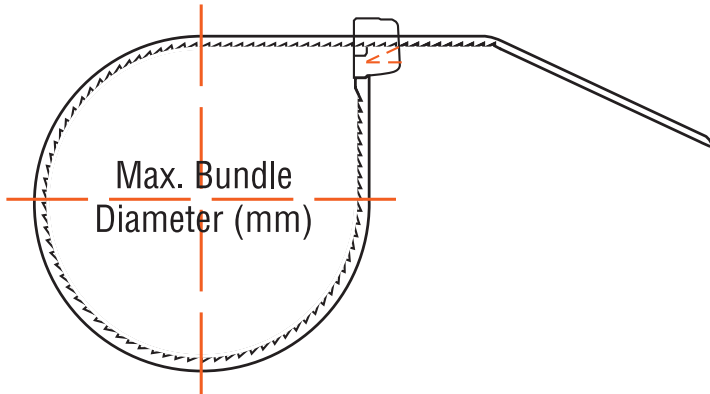


## Coloured Cable Ties (Pack 100) - Standard Range



- Materials:** UL approved Nylon 66, 94V-2  
High tensile strength with low insertion force  
Excellent resistance to weathering and ageing
- Feature:** Suitable for a multitude of uses in various industries
- Application:** Self-locking for fast and easy application.
- Operating Temperature:**  $-40^{\circ}\text{C}$  to  $+85^{\circ}\text{C}$



# Coloured Cable Ties (Pack 100) – Standard Range

Order code	MPN	Colour	Width W (mm)	Length L (mm)	Max. Bundle Diameter (mm)	Min. Tensile Strength (kg)
<b>04-0906</b>	UNI-CT5-BLUE	Blue	4.8	203	52	22
<b>04-0905</b>	UNI-CT5-BROWN	Brown	4.8	203	52	22
<b>04-0907</b>	UNI-CT5-GREEN	Green	4.8	203	52	22
	UNI-CT5-ORANGE	Orange	4.8	203	52	22
	UNI-CT5-PURPLE	Purple	4.8	203	52	22
<b>04-0908</b>	UNI-CT5-RED	Red	4.8	203	52	22
	UNI-CT5-SILVER	Silver	4.8	203	52	22
<b>04-0909</b>	UNI-CT5-YELLOW	Yellow	4.8	203	52	22
<b>04-0911</b>	UNI-CT8-BLUE	Blue	4.8	300	83	22
<b>04-0910</b>	UNI-CT8-BROWN	Brown	4.8	300	83	22
<b>04-0912</b>	UNI-CT8-GREEN	Green	4.8	300	83	22
	UNI-CT8-ORANGE	Orange	4.8	300	83	22
	UNI-CT8-PURPLE	Purple	4.8	300	83	22
<b>04-0913</b>	UNI-CT8-RED	Red	4.8	300	83	22
	UNI-CT8-SILVER	Silver	4.8	300	83	22
<b>04-0914</b>	UNI-CT8-YELLOW	Yellow	4.8	300	83	22
	UNI-CT10-BLUE	Blue	4.8	368	105	22
	UNI-CT10-BROWN	Brown	4.8	368	105	22
	UNI-CT10-GREEN	Green	4.8	368	105	22
	UNI-CT10-ORANGE	Orange	4.8	368	105	22
	UNI-CT10-PURPLE	Purple	4.8	368	105	22
	UNI-CT10-RED	Red	4.8	368	105	22
	UNI-CT10-SILVER	Silver	4.8	368	105	22
	UNI-CT10-YELLOW	Yellow	4.8	368	105	22