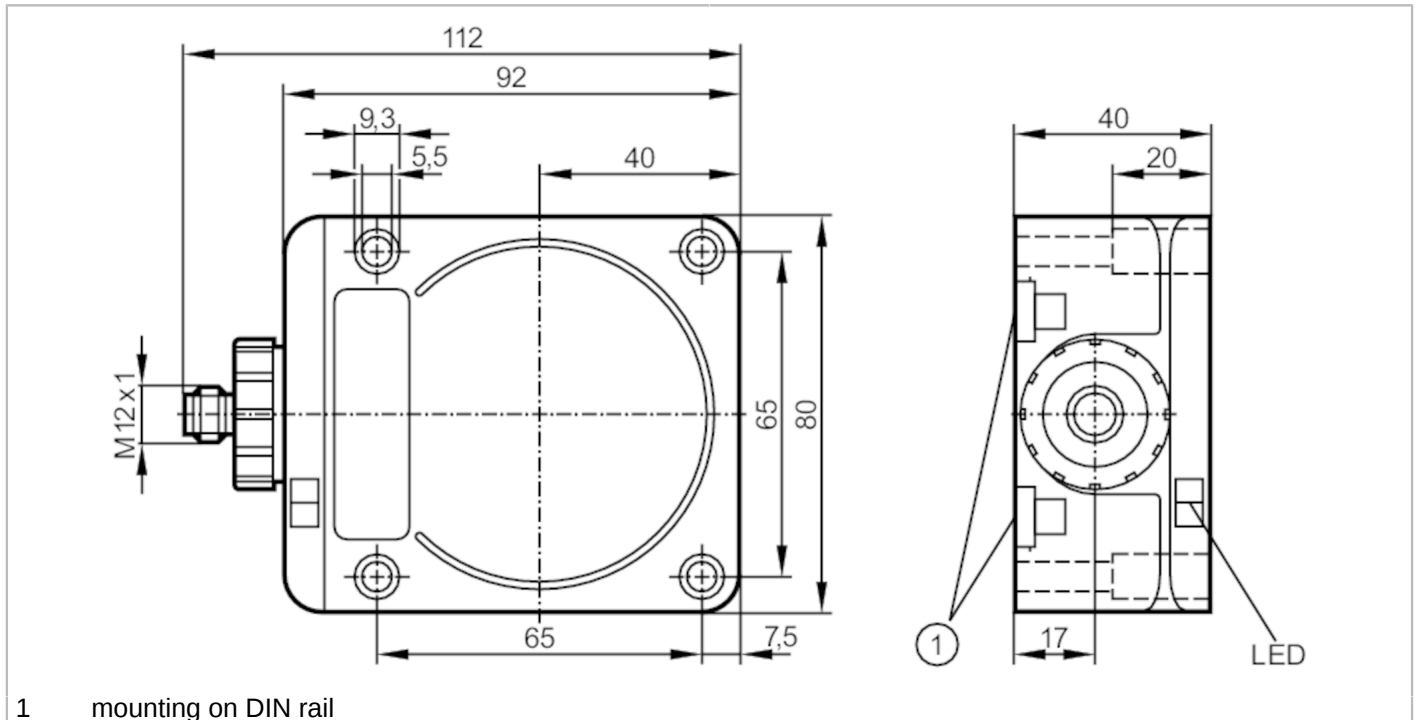


# DTA300



## RFID read head with AS-Interface

DTSLF DCRWASUS01



Application			
Application	detection of objects on transport equipment		
Radio approval for	Europe; USA; Canada; Australia; Singapore		
Electrical data			
Operating voltage [V]	26.5...31.6 DC		
Current consumption [mA]	< 65		
Protection class	III		
Operating frequency [MHz]	0,125		
Outputs			
Electrical design	AS-i		
Detection zone			
Travel speed [m/s]	< 0.5		
Distance read/read head front	400		
Distance read/read head side	280		
Note on distance read/read head	referred to	:	
	Read/write head		DTA300
	Read head		DTA301
Distance write/read head front [mm]	500		
Distance write/read head side [mm]	500		
Note on distance write/read head	referred to	:	
	Read/write head		DTA300
	Read head		DTA301
Distance to the ID tag [mm]	read	:	≤ 80
	static		

# DTA300



## RFID read head with AS-Interface

DTSLF DCRWASUS01

Operating conditions		
Ambient temperature	[°C]	-20...60
Storage temperature	[°C]	-25...80
Protection		IP 67

Tests / approvals		
EMC	EN 50295	1999-03
Shock resistance	EN 60068-2-29	40 g 6 ms
	EN 60068-2-27	50 11 ms
Vibration resistance	EN 60068-2-6	20 g 10...55 Hz
MTTF	[years]	422

AS-i classification		
AS-i I/O configuration	[hex]	7
AS-i ID code	[hex]	4
AS-i certificate		83401

Mechanical data		
Weight	[g]	414
Housing		rectangular
Dimensions	[mm]	92 x 80 x 40
Materials		housing: PPE; metal parts: diecast zinc / brass nickel-plated

Displays / operating elements		
Display	Operating voltage	1 x LED, green
	tag communication	1 x LED, yellow
	error AS-i data communication	1 x LED, red

Remarks	
Remarks	For the distances to other ID tags see the respective data sheet (E803xx)
Pack quantity	1 pcs.

### Electrical connection

Connector: 1 x M12, rotatable



# DTA300



## RFID read head with AS-Interface

DTSLF DCRWASUS01

### Connection

