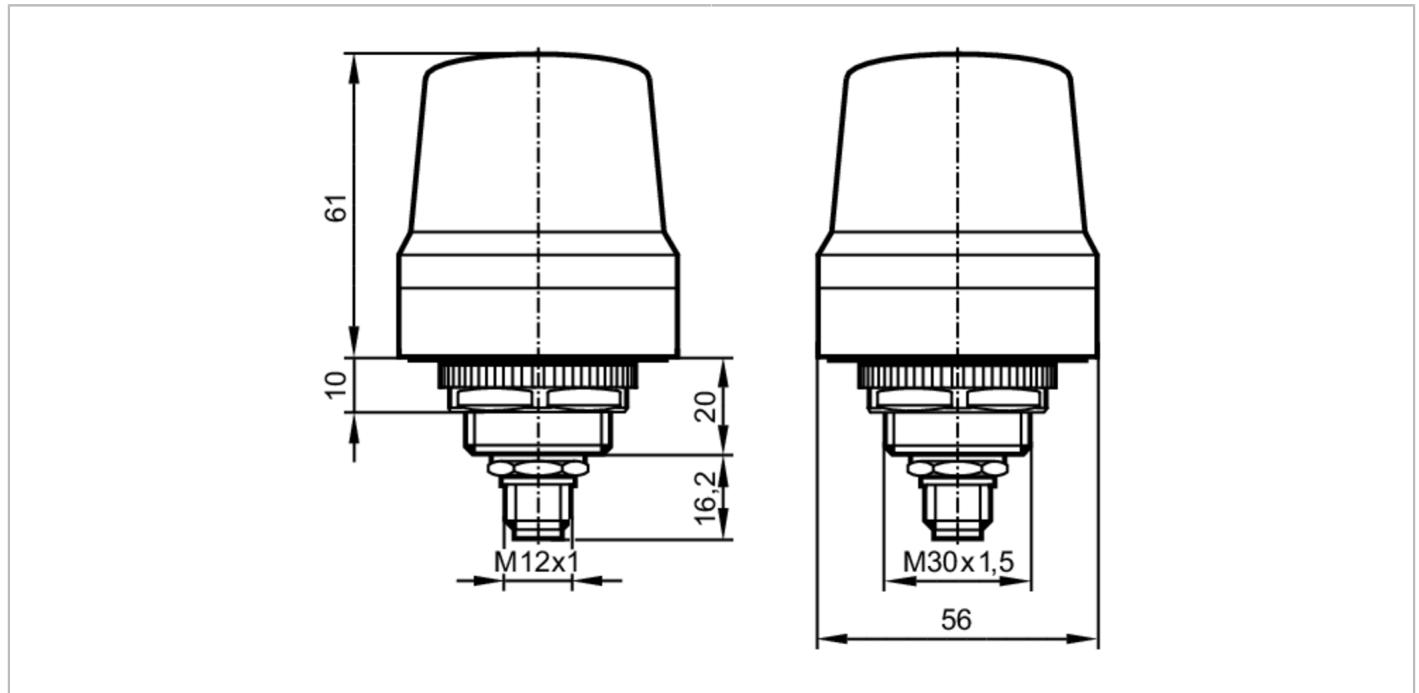


DV2121



1-segment signal lamp

LED-Lamp/IO-Link/Button



Application		
Application		signalling machine conditions
Electrical data		
Operating voltage	[V]	18...30 DC; (to SELV/PELV)
Nominal voltage DC	[V]	24
Max. current consumption	[mA]	90
Interfaces		
Communication interface		IO-Link
Transmission type		COM2 (38.4 kBaud)
IO-Link revision		1.1
SDCI standard		IEC 61131-9
IO-Link device ID		1054 d / 00 04 1E h
SIO mode		yes
Required master port type		A
Min. process cycle time	[ms]	2.3
Operating conditions		
Ambient temperature	[°C]	-25...50
Storage temperature	[°C]	-40...75
Max. relative air humidity	[%]	90
Max. height above sea level	[m]	4000
Protection		IP 67
Degree of soiling		2

DV2121



1-segment signal lamp

LED-Lamp/IO-Link/Button

Mechanical data		
Weight	[g]	155
Dimensions	[mm]	Ø 56 / L = 61
Materials		housing: PC
Displays / operating elements		
Display		LED segment, red / green / yellow / blue / lilac / cyan / white
Operating elements	capacitive pushbutton	
Remarks		
Remarks	For further information please see the operating instructions.	
Pack quantity	1 pcs.	

Electrical connection - plug

IO-Link	
1	UB+
2	not used
3	UB-
4	IO-Link
5	not used

standard mode	
1	IN1 red
2	IN2 green
3	GND
4	Capacitive touch sensor
5	IN3 blue

Connector: M12

