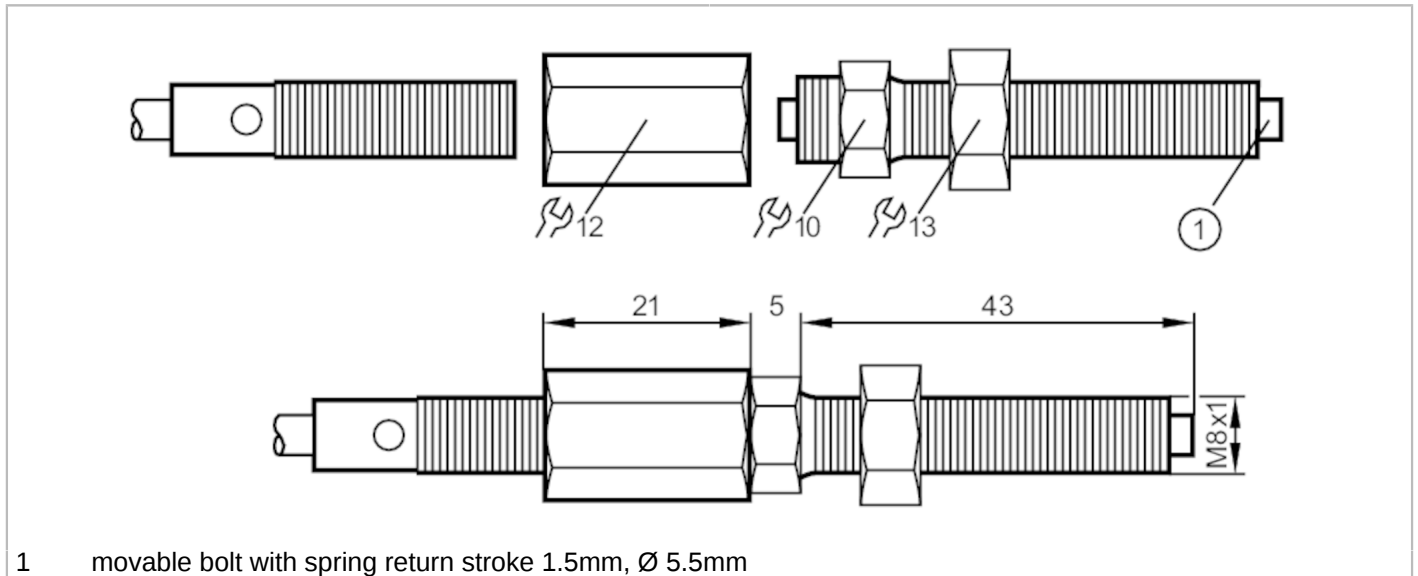


E10154



Limit plunger

LIMIT PLUNGERS IE



Application	
Design	for types, M8 x 1, Sn = 1 mm b, 2 mm b
Mechanical data	
Weight [g]	36.6
Materials	Limit plunger: free cutting steel; plunger: steel (1.0503 / C45K) hardened on front; Lock nut: brass nickel-plated
Activation force [N]	4.9...7845
Remarks	
Pack quantity	1 pcs.