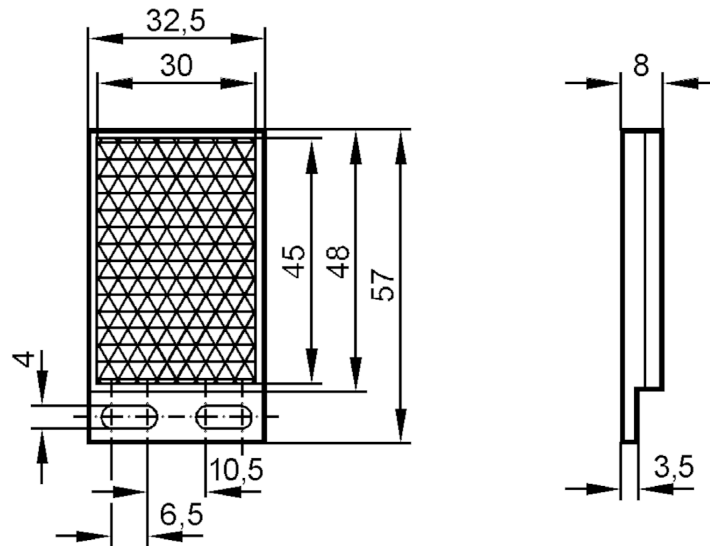


E20961



Reflector for retro-reflective sensors

REFLECTOR TS-57X32



Application

Design rectangular, for red light and infrared light retro-reflective sensors

Operating conditions

Ambient temperature [°C] -10...58

Mechanical data

Weight [g] 11

Dimensions [mm] 57 x 32.5 x 8

Materials plastics

Remarks

Pack quantity 1 pcs.