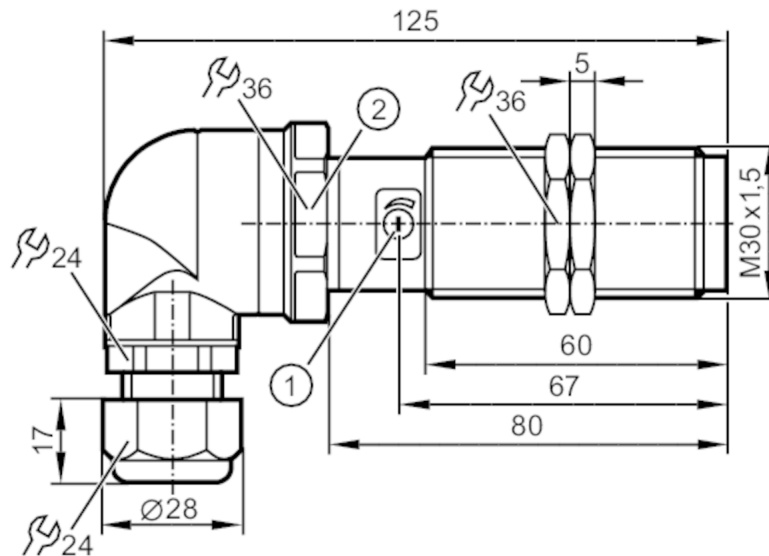


# KI001A



## Capacitive sensor

KIE2150NFB0A/3D



- 1 potentiometer  
2 Tightening torque 10 Nm



### Product characteristics

Output function		normally open / normally closed; (selectable)
Sensing range	[mm]	15
Housing		threaded type
Dimensions	[mm]	M30 x 1.5 / L = 125

### Electrical data


Operating voltage	[V]	30...250 AC / 20...250 DC
Protection class		II
Reverse polarity protection		yes

# KI001A



## Capacitive sensor

KIE2150NFBOA/3D

Outputs		
Output function	normally open / normally closed; (selectable)	
Max. voltage drop switching output DC [V]	8	
Max. voltage drop switching output AC [V]	10	
Minimum load current [mA]	5	
Max. leakage current [mA]	2.5 (250 V AC) / 1.7 (110 V AC) / 1.5 (24 V DC)	
Permanent current rating of switching output AC [mA]	100; (150 (...40 °C))	
Permanent current rating of switching output DC [mA]	100; (150 (...40 °C))	
Short-time current rating of switching output [mA]	1000; (20ms / 0,5Hz)	
Switching frequency AC [Hz]	10	
Switching frequency DC [Hz]	10	
Notes on switching frequency	only for resistive loads; 2 Hz for utilisation category AC-140	
Short-circuit proof	no	
Overload protection	no	
Detection zone		
Sensing range [mm]	15	
Sensing range adjustable	yes	
Factory setting sensing range [mm]	15	
Real sensing range Sr [mm]	15 ± 10 %	
Accuracy / deviations		
Correction factor	glass: 0.4 / water: 1 / ceramics: 0.2 / PVC: 0.2	
Hysteresis [% of Sr]	1...15	
Switch point drift [% of Sr]	-20...20	
Operating conditions		
Ambient temperature [°C]	-20...60	
Protection	IP 65; IP 67	
Tests / approvals		
ATEX marking	 II 3D Ex tc IIIC T90°C Dc X	
EMC	EN 61000-4-2 ESD	kV / 8 kV AD
	EN 61000-4-3 HF radiated	3 V/m
	EN 61000-4-4 Burst	2 kV
	EN 61000-4-5 Surge	1 kV line to line, Ri: 2 Ohm
	EN 61000-4-6 HF conducted	3 V
	EN 55011	class B
MTTF [years]	305	

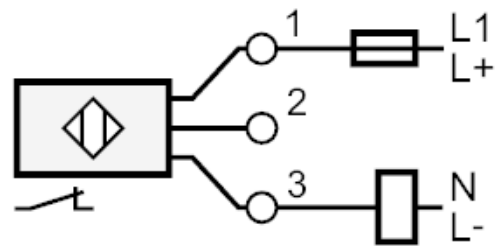
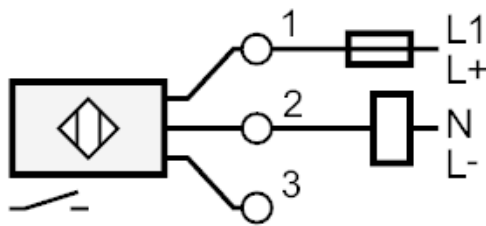
# KI001A



## Capacitive sensor

KIE2150NFBOA/3D

Mechanical data		
Weight	[g]	156.5
Housing		threaded type
Mounting		non-flush mountable
Dimensions	[mm]	M30 x 1.5 / L = 125
Thread designation		M30 x 1.5
Materials		PBT; PA
Displays / operating elements		
Display	switching status	1 x LED, yellow
Electrical connection		
Required protection	miniature fuse to IEC60127-2 sheet 1; $\leq 2$ A; fast acting; Place the fuse outside the hazardous area.	
Accessories		
Accessories (supplied)	lock nuts: 2	
Remarks		
Remarks	Recommendation: Check the safe functioning of the unit after a short circuit.	
Pack quantity	1 pcs.	
Electrical connection		
terminals: 0.34...2.5 mm <sup>2</sup> ; Cable sheath: $\varnothing$ 5...9 mm; Cable gland: M20 X 1.5		
Connection		



Note miniature fuse to IEC60127-2 sheet 1  $\leq 2$  A fast acting  
Place the fuse outside the hazardous area.